

secuENTRY pro 7010 TWIN

Order no.: 57140

Electronic cylinder for up to 2000 users

• Identification media:

- **Pincode:** 2000 user codes
- **Fingerprint:** 200-300 biometric user codes (max. 45 premium finger scans, 200-300 standard finger scans)
- **Passive transponder:** 2000 RFID keys
- **Smart devices:** 2000 BLE keys
- **Active transponder:** 2000 BLE keys

• History function: 2000 events

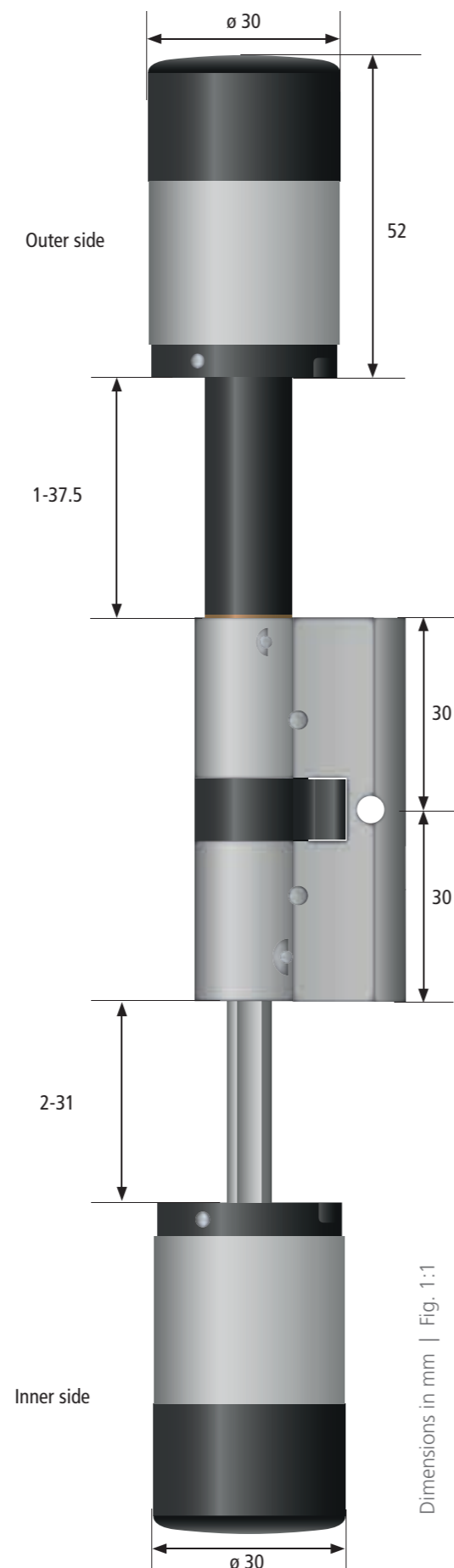
• **Can also be used as an anti-panic cylinder:** with free-wheel and panic function FZG* as standard in accordance with guideline FZG**, edition 2020-07-06 of the PIV.

* Fulfills the requirement of the class of the panic function F2 and FZG according to DIN 18252:2018-05.

** Tested by the Testing Institute Locks and Hardware Velbert (PIV)

Advantages:

- Up to 2000 passive transponders programmable
- Cylinder protection class: IP 65
- Free-running on both sides
- Identification required from both sides



Dimensions in mm | Fig. 1:1

Technical details

Model	Assembly in profile cylinder hole (DIN 18252, EN 1303) Approval and certification: • Conformity to all applicable EC guidelines • National laws must be checked separately
Power supply	2 x CR123A lithium batteries (internal/external knob)
Permissible ambient conditions	* -15 °C/+50 °C / up to 95 % rel. air humidity (non condensing)
Number of possible activations per battery set	PINCODE up to 55,000 openings ¹ FINGERPRINT up to 55,000 openings ¹ PASSIV-TRANSPONDER up to 65,000 openings ¹
Cylinder length min./max.	Door thickness 60 to 127.5 mm: min. 30/30 mm, max. 67.5/60 mm (measured from centre of forend screw)
Backset	• Inward opening door ² (standard knob): 30 mm • Outward opening door ² : 30 mm
Active outer knob	• Reads passive transponders • Bluetooth receiver
Active inner knob	• Reads passive transponders • Bluetooth sender
Wireless range	Up to 4 m (AES encryption)
Protection class	IP65
Outer shaft	Plastic, brass ³
Inner shaft	Galvanized hexagonal steel shaft
Coupling duration	7 seconds
Data transfer cylinder	Bluetooth 4.0 LE (AES encrypted)
Special feature	Can also be used as an anti-panic cylinder ⁴

¹ Without permanent opening ² Applies to door leaf thicknesses where the profile cylinder does not project. Please inquire for other doors. ³ Optional accessories ⁴ more informations: <https://www.burg.biz/international/p/electronic-door-locking-systems/secuentry-pro-7010-twin/>

Optional functions via secuENTRY 7083 software:

- User or group administration
- Time and calendar function
- Assignment of opening rights
- History trace
- Visitor transponder function (Programmable access rights and validity period programmable)

Scope of delivery:

- Cylinder (as shown)
- Spacers
- Installation material (e.g. forend screw/hexagon socket screw)
- Cover rosette
- Serial number/Factory administration code
- QR code for teaching the products
- 2 x CR123A lithium batteries
- Operating Instructions

Optional

- with active transponder
- with passive transponder

