

CROSS PS 7500



**BURG
WÄCHTER**

profi
scale

CROSS



precision
 $\pm 1,25\%$



ProfiScale CROSS
Cross line laser level with tripod

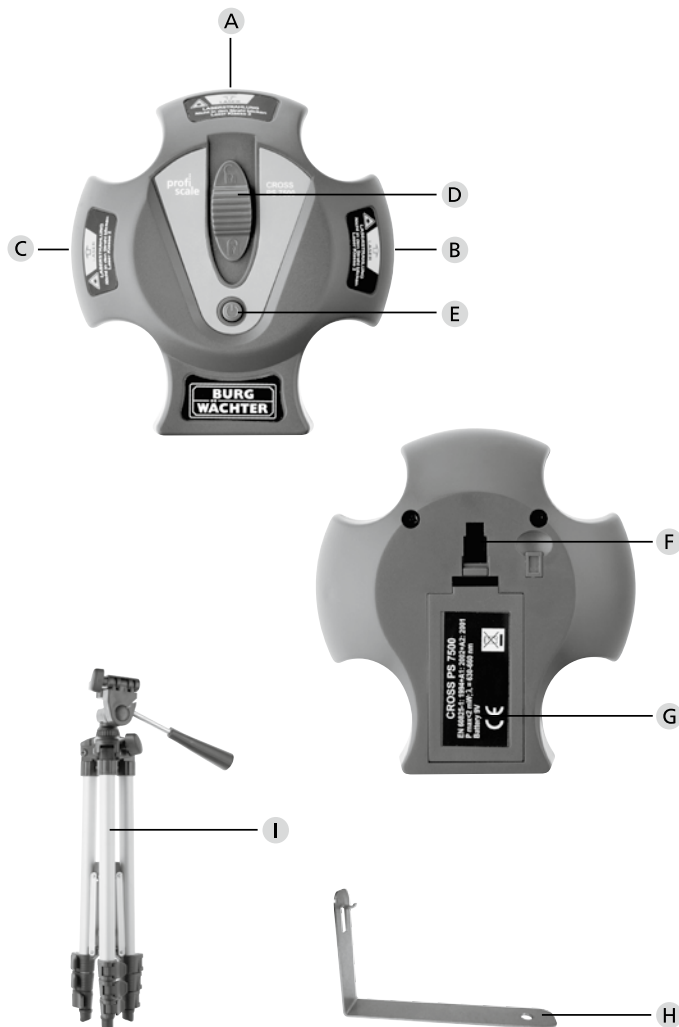
en Operating instructions

BURG-WÄCHTER KG
Altenhofer Weg 15
58300 Wetter
Germany

www.burg-waechter.de



profi scale



Introduction

Align your tiles, furniture, pictures or borders the easy way. The lasers in the ProfiScale CROSS cross line laser level are self-adjusting and show horizontal and vertical lines up to 20 metres long. You'll have both hands free at all times – whether the device is suspended, standing upright or placed on the tripod.

The cross laser ProfiScale CROSS uses laser beams to project horizontal and vertical lines onto a wall. It's the perfect aid to professionally installing wall units, pictures, shelves etc. The cross laser ProfiScale CROSS automatically adjusts within a range of $\pm 8^\circ$.

Illustration

- A Laser 1
- B Laser 2
- C Laser 3
- D Locking switch
- E On/off switch
- F Mounting device
- G Battery compartment
- H Angle adapter for use with tripod
- I Tripod

Safety instructions

Failure to observe the following instructions may result in personal injury:

1. Before using the device, you must read these instructions carefully to ensure that you operate the device safely. Keep these instructions in a safe place.
2. The warning label(s) on the device must never be obscured or removed from the device.



Caution – Laser radiation
Do not stare into beam

EN 60825-1:1994 + A1:2002 + A2:2001
 $P_{max} < 2 \text{ mW}; \lambda = 630 - 660 \text{ nm}$

3. Before using the device for the first time, apply the warning labels provided in your national language.
4. Never point the laser beam at the eyes of other persons or animals. Never look into the light beam yourself and do not use optical devices to focus the laser light. To do so may damage your eyes.
5. Do not allow children to operate the laser measuring tool. They may inadvertently injure themselves or others.
6. Do not operate the device at eye level or close to reflective surfaces, as these may reflect laser beams into your eyes.
7. Always switch the laser off when you have finished working or if you are not using it for some time.

8. When using the pin, note that it is extremely sharp and could cause injury if improperly used.
9. When working with the device (using the pin), make sure there are no cables or wires close by that could be damaged by the pin.
10. Keep the device away from children and unauthorized persons.
11. For safety reasons and to maintain the warranty on the device, repairs must only be carried out by qualified personnel using genuine parts.
12. Never expose the device to an electric voltage, as this could damage the electronics.
13. Do not use the device in the vicinity of inflammable or explosive gases.
14. Do not use the device if it is defective.
15. Handle the device with care and do not drop it.
16. To avoid functional errors, do not dismantle the device.
17. Keep the device clean and dry.
18. When not in use, the device should be stored in the bag supplied.
19. Avoid contact with water and dust.
20. Do not use abrasive cleaners or solvents to clean the device. Use a damp cloth and mild detergent.
21. Check the battery/batteries regularly to avoid damage.
22. Remove the battery if you are not going to use the device for a long period.

Warranty

Congratulations!

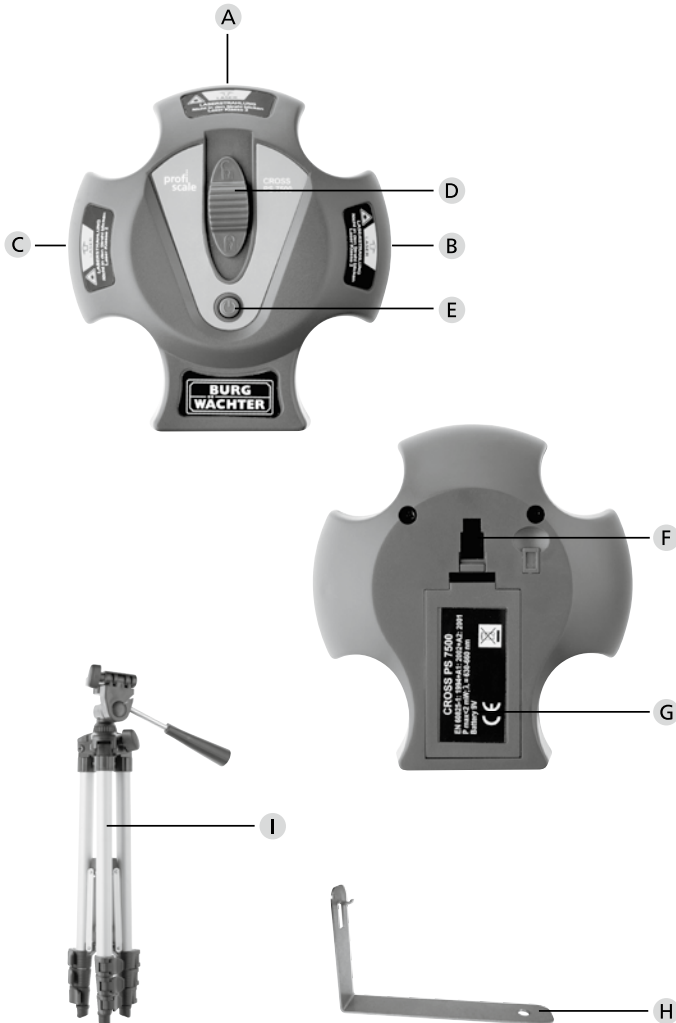
Thank you for choosing ProfiScale quality measuring technology by BURG-WÄCHTER. BURG-WÄCHTER offers a warranty of 2 years' duration from the date of purchase. The warranty does not cover damage caused by improper use, overloading the device or incorrect storage as well as normal wear and defects that only have an insignificant effect on the value or usability of the device. The warranty shall be immediately invalidated if unauthorized persons work on the device. In the event that a warranty claim arises, please hand over the entire device incl. packaging, description and batteries along with the sales receipt to your dealer.

Technical data

Length of laser line	approx. 8m
Width of laser line	< 5 mm
Resolution	$\pm 10 \text{ mm}$ (in 8 m)
Laser output	< 2 mW
Laser wavelength	630 – 660 nm
Laser class	Class 2
Power supply	9V compound (e.g. 6LR61)
Operating temperature	-10°C – 40°C



profi scale



Operating the device

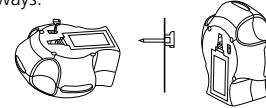
Replacing the battery

1. Ensure that the laser is switched off.
2. Replace the 9 V compound battery, observing the correct polarity.
3. Close the battery compartment cover.

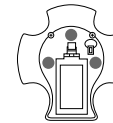


Securing the device

- A** The device can be secured in different ways:
Pin fixing (as in Fig. 1 and Fig. 2)



- B** Securing using adhesive points (as in Fig. 4)

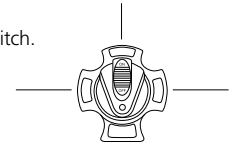


- C** The device can also be mounted using tripod STAND PS 7510.
Use the angle adapter to mount the device.



Using the device

1. Position the device.
2. Switch on the device and open the locking switch.
The device adjusts itself automatically.



Automatic adjustment

The automatic adjustment only works if the device is suspended. The device centres itself within a range of $\pm 8^\circ$. If the device is being transported, you must move the locking switch to the lock position.



Tips:

This device projects lines on surfaces on which or in front of which the device was positioned. If the laser lines are not visible even though the device is switched on, check the battery. The device was designed for indoor use.

Disposing of the device

Dear Customer,

Please help to reduce waste. Should you decide to dispose of the device, please bear in mind that many of the components it contains are made from valuable material that can be recycled.

Please do not throw the device into the normal waste bin. Contact the responsible office in your area and ask about collection points for electrical waste.



Printing and typesetting errors excepted. We reserve the right to make technical changes.