





- en To assemble the BURG-WÄCHTER door and window security:
- BlockSafe B1 + BS2
  - WinSafe WD3
  - WinSafe WS 11 + WS 22
  - WinSafe WS 33 + WS 44

**Language**

- de Deutsch.....1
- en English.....2
- fr Français.....3
- nl Nederlands.....4
- it Download: www.burg.biz
- es Descarga: www.burg.biz
- pt Download: www.burg.biz
- sv Download: www.burg.biz
- no Download: www.burg.biz
- dk Download: www.burg.biz
- fi Ladattava tiedosto: www.burg.biz
- el λήψη: www.burg.biz
- tr İndir: www.burg.biz
- ro Descărcare: www.burg.biz
- pl Pobieranie pliku: www.burg.biz
- cs Stáhnout: www.burg.biz
- hu Letölthető: www.burg.biz
- sl Download: www.burg.biz
- sk Download: www.burg.biz
- hr Download: www.burg.biz
- ru загрузка: www.burg.biz
- bg Download (зареди): www.burg.biz
- et Download: www.burg.biz

**Installation Manual MA 99 DUO**

**Contents**

- A Important notes
- B Field of application
- C Packaging content
- D Assembly tools
- E Assembly

**A. Important notes**

Please read the instructions carefully before the assembly and store them! For any possible damage caused during assembly or injury, the manufacturer does not assume liability.

**B. Field of application**

The BURG-WÄCHTER mounting anchor MA 99 DUO offers maximum pullout resistance in hollow profiles and in softwood frame. For assembly of window and door security...

- BlockSafe B1 + BS2 (1-2 mounting anchors required)
- WinSafe WD3 (2 mounting anchors required)  
...on frames of windows made of aluminium, wood or plastic.
- WinSafe WS 11 (1 mounting anchor required)
- WinSafe WS 22 (2 mounting anchors required)  
...on frames of windows made of aluminium or wood.
- WinSafe WS 33 (2 mounting anchors required)
- WinSafe WS 44 (2 mounting anchors required)  
...on frames of windows made of aluminium, wood or plastic with metal insert.

**C. Packaging content**

- 2 mounting anchors Ø9 x 120 mm
- 2 screw-in bolt Ø13 x 28 mm
- 1 drilling template
- 2 screws each M5 x 16/20/25/30/35 mm
- 2 screws each M8 x 16/20/25/30/35 mm

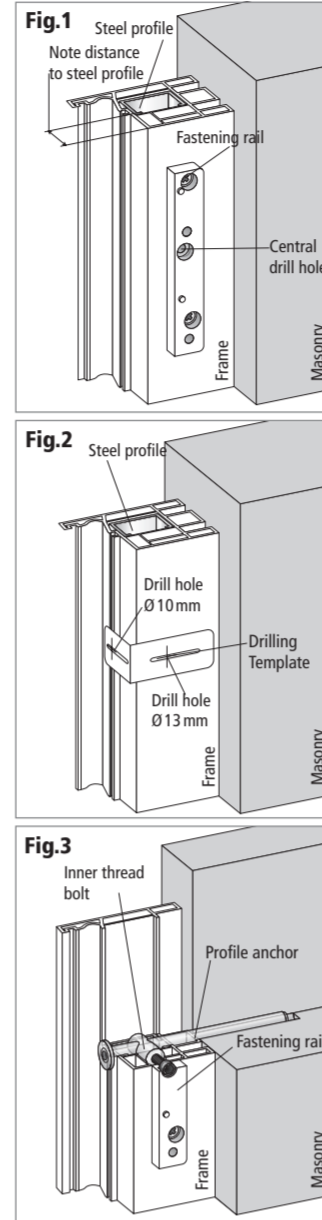
**D. Assembly tools**

- HSS drill Ø10 mm
- HSS drill Ø13 mm
- Masonry drill Ø10 mm
- Phillips screwdriver
- Screwdriver

**E. Assembly**

**BlockSafe B1/BS2**

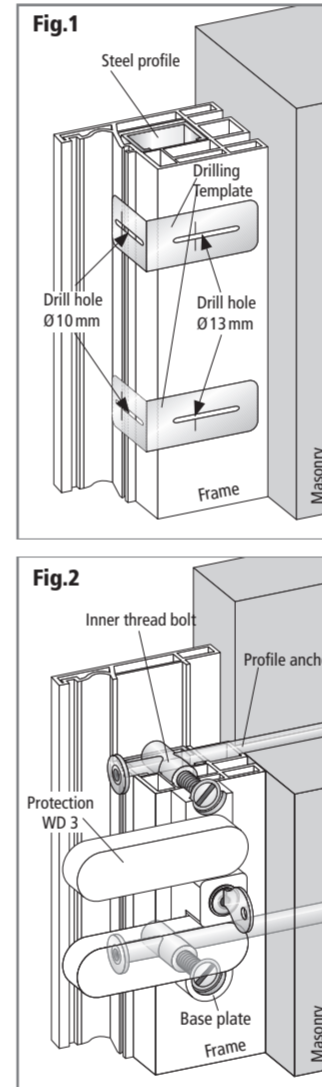
- Use the BlockSafe assembly instructions to install the lock case and set the drill holes for the locking part.
  - Assembly with fastening rail: Use the central hole for MA 99 Duo (see Fig.1).
  - Assembly without fastening rail: Reinforce both drill holes with MA 99 Duo.
- Drill the hole(s) approx. 40 mm deep with a Ø13 mm drill.
  - Caution: Do not drill through the frame.**
  - TIP:** Note the distance at which the drill hits the alu/steel profile embedded in the frame (see Fig.1).
- Place the drilling template onto the frame alongside the groove as indicated in Fig. 2 and mark the drill hole centre on the rebate side. Now choose the depth, at which the anchor can be set most conveniently. Optimal is the noted distance from Fig.1 + 8 mm (see Fig.2 + point 2), so that the drill does not cut through along the steel profile.
  - Caution: The Ø10 mm drill hole must be made within the range of the template slot.**
- Drill a hole Ø10 mm in the indicated point through the frame and then use a Ø10 mm masonry drill to reach a depth of 120 mm. This allows, the mounting anchor to be fixed firmly into the frame and in the masonry.
  - TIP:** The screw should be inserted into the bolt to a min. distance of 5 mm.
  - Screw length** = 5 mm + bolt upper edge to frame upper edge + optional padding + fastening rail.
- Turn the M5 screw through the fastening rail and optional padding into the bolt and insert it into the frame, so that the anchor can be driven from the side through the bolt bore (see Fig.3).
  - TIP:** Make sure that the M5 screw does not protrude into the 10 mm bolt bore.
- Now tighten the screw and proceed with the assembly of BlockSafe.
  - TIP:** When installing on the bottom frame profile, seal the remaining openings using e.g. silicone.



The manufacturer assumes no liability for any damage or injury which may occur during the assembly.

**WinSafe WD3**

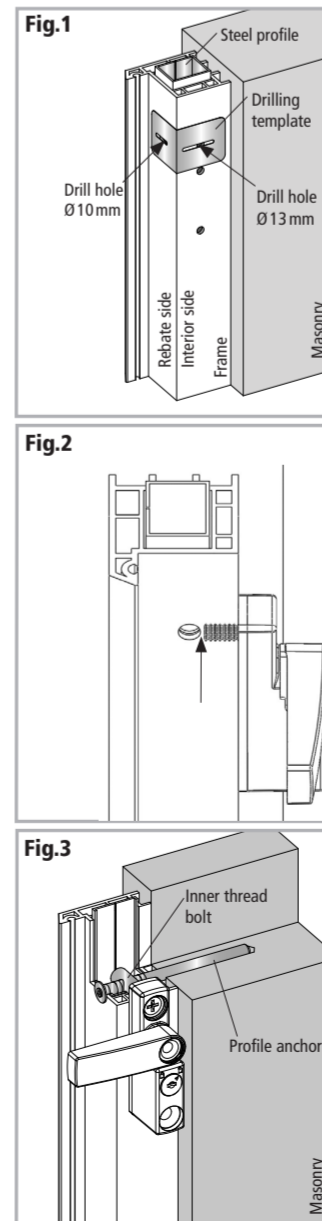
- Use the WinSafe WD3 assembly instructions to mark and drill the two holes for the base plate.
  - Caution: Do not drill through the frame.**
  - TIP:** Note the distance at which the drill hits the alu steel profile embedded in the frame (see Fig. 1).
- Place the drilling template onto the frame alongside the groove as indicated in Fig. 2 and mark the two drill hole centres on the rebate side. Now choose the depth, at which the anchor can be set most conveniently. Optimal is the noted distance from Fig.1 + 9 mm (see Fig.2 + point 2), so that the drill does not cut through the steel profile.
  - Caution: The Ø10 mm drill holes must be made within the range of the template slot.**
- Drill the holes Ø10 mm in the indicated points through the frame and then use a Ø10 mm masonry drill to reach a depth of 120 mm. This allows, the mounting anchors to be fixed firmly in the frame and in the masonry.
  - TIP:** The screws should be inserted into the bolt to a min. distance of 5 mm.
  - Screw length** = 5 mm + bolt upper edge to frame upper edge + optional padding + base plate.
- Turn the M8 screws through the base plate and optional padding into the bolt and insert them into the frame, so that the anchor can be driven from the side through the bolt bore (see Fig.2).
  - TIP:** Make sure that the M8 screws do not protrude into the 10 mm bolt bores.
- Now tighten the screws and proceed with the assembly of WinSafe.
  - TIP:** When installing on the bottom frame profile, seal the remaining openings using e.g. silicone.



The manufacturer assumes no liability for any damage or injury which may occur during the assembly.

**WinSafe WS 11**

- Based on the mounting and operating for WinSafe WS 11 please drill the 3 holes for the window lock and determine the required underlays.
  - Caution: Do not drill through the frame.**
  - TIP:** Measure the distances of the metal profile located inside the framework toward the inside of the frame. Shape and location of the metal profile may differ from Fig. 1.
- Drill the upper hole approx. 40 mm deep with a Ø13 mm drill.
  - Caution: Do not drill through the frame.**
  - TIP:** Measure the distances of the metal profile located inside the framework toward the inside of the frame. Shape and location of the metal profile may differ from Fig. 1.
- Place the drilling template onto the frame alongside the groove and mark the drill holes on the interior and rebate sides. The distance between the Ø13 mm drill hole and Ø10 mm drill hole on the rebate side must be within the marked areas on the drilling template. When drilling do not hit the metal bar of the steel profile.
  - Caution: The drill holes must be made within the range of the template slot.**
- Drill the Ø10 mm hole at the marked position through the frame and then drill with the Ø10 mm masonry drill 120 mm deep into the masonry.
  - TIP:** The screws should at least be screwed 5 mm into the inner thread bolt.
- Insert one of the enclosed M8 screws through the window latch and any required underlays. Keep the window latch WS 11 to the inside of the frame with the screw on the rebate side. The screw should be as close as possible to the Ø10 mm hole (s. Fig.2). If necessary, choose a different screw length.
  - TIP:** The screws should at least be screwed 5 mm into the inner thread bolt.
- Screw the inner thread bold on the screw, so that the profile anchor can be guided from the side through the drill hole of the screw-in bolt.
  - TIP:** The screws should at least be screwed 5 mm into the inner thread bolt.
- Now tighten the screw and continue with mounting the WinSafe WS 11.
  - TIP:** When mounted on the lower frame profile the profile anchor can be sealed with e.g. silicone.

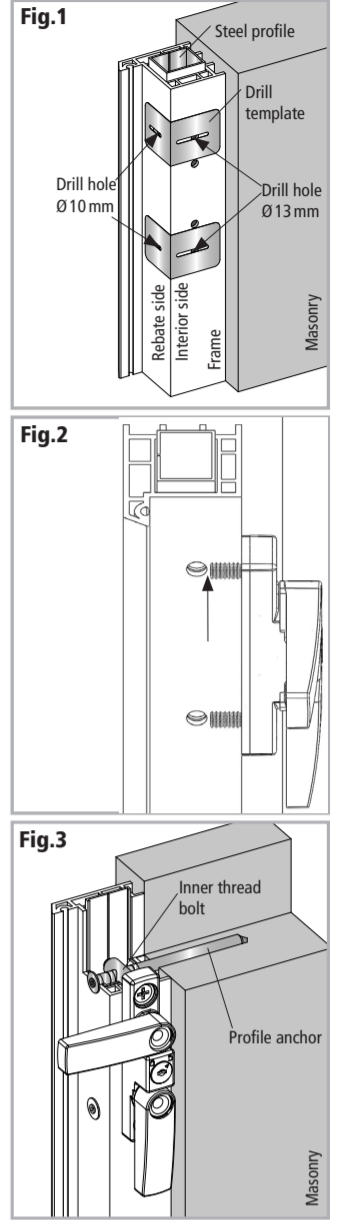


The manufacturer assumes no liability for any damage or injury which may occur during the assembly.

**E. Assembly**

**WinSafe WS 22**

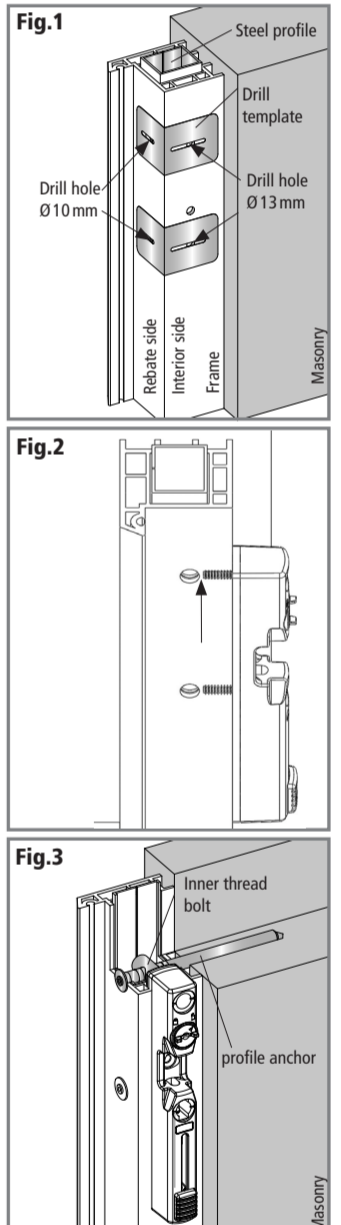
- Based on the mounting and operating for WinSafe WS 22 please drill the 4 holes for the window lock and if required, the underlays.
  - Caution: Do not drill through the frame.**
  - TIP:** Measure the distances of the metal profile located inside the framework toward the inside of the frame. Shape and location of the metal profile may differ from Fig. 1.
- Drill the upper and lower hole approx. 40 mm deep with a Ø13 mm drill.
  - Caution: Do not drill through the frame.**
  - TIP:** Measure the distances of the metal profile located inside the framework toward the inside of the frame. Shape and location of the metal profile may differ from Fig. 1.
- Place the drilling template onto the frame alongside the groove and mark the drill holes on the inside and the rebate side. Use the drill template to determine the distance from the metal profile to the point for the Ø10 mm hole. Ensure the drill doesn't hit the metal profile bar.
  - Caution: The drill holes must be made within the range of the template slot.**
- Drill the Ø10 mm hole at the marked position through the frame and then drill with the Ø10 mm masonry drill 120 mm into the masonry.
  - TIP:** The screw should be as close as possible to the Ø10 mm hole (s. Fig.2). If necessary, choose a different screw length.
- Insert two of the enclosed M8 screws through the window lock and any required underlays. Keep the window lock WS 22 to the inside of the frame with the screw on the rebate side. The screw should be as close as possible to the Ø10 mm hole (s. Fig.2). If necessary, choose a different screw length.
  - TIP:** The screws should be screwed at least 5 mm into the inner thread bolt.
- Screw the inner thread bolt on the screws, so that the profile anchor can be guided from the side through the drill holes of the screw-in bolt.
  - TIP:** The screws should be screwed at least 5 mm into the inner thread bolt.
- Now tighten the screw and continue with mounting the WinSafe WS 22.
  - TIP:** When mounted on the lower frame profile the profile anchor can be sealed with e.g. silicone.



The manufacturer assumes no liability for any damage or injury which may occur during the assembly.

**WinSafe WS 33**

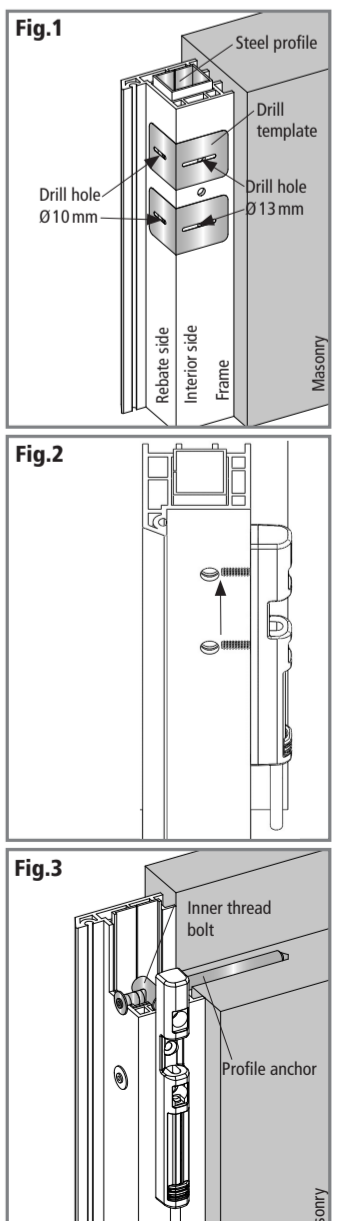
- Based on the mounting and operating for WinSafe WS 33 please drill the 3 holes for the window lock and any required underlays.
  - Caution: Do not drill through the frame.**
  - TIP:** Measure the distances of the metal profile located inside the framework toward the inside of the frame. Shape and location of the metal profile may differ from Fig. 1.
- Drill upper and lower holes with a Ø13 mm drill approximately 40 mm deep.
  - Caution: Do not drill through the frame.**
  - TIP:** Measure the distances of the metal profile located inside the framework toward the inside of the frame. Shape and location of the metal profile may differ from Fig. 1.
- Place the drilling template onto the frame alongside the groove and mark the drill holes from the inside to the rebate side. The location is determined by the metal profile to the point of the Ø10 mm hole. The drill should not hit the metal profile bar.
  - Caution: The drill hole must be made within the range of the template slot.**
- Drill the Ø10 mm hole at the marked position through the frame and then drill with the Ø10 mm masonry drill 120 mm deep into the masonry.
  - TIP:** The screws should be as close as possible to the Ø10 mm hole (s. Fig.2). If necessary, choose a different screw length.
- Insert two of the enclosed M8 screws through the window lock and any required underlays. Keep the window lock WS 33 to the inside of the frame with the screw on the rebate side. The screw should be as close as possible to the Ø10 mm hole (s. Fig.2). If necessary, choose a different screw length.
  - TIP:** The screws should be screwed at least 5 mm into the inner thread bolt.
- Screw the inner thread bolt on the screws, so that the profile anchor can be guided from the side through the drill holes of the screw-in bolt.
  - TIP:** The screws should be screwed at least 5 mm into the inner thread bolt.
- Now tighten the screws and continue with mounting the WinSafe WS 33.
  - TIP:** When mounted on the lower frame profile the profile anchor can be sealed with e.g. silicone.



The manufacturer assumes no liability for any damage or injury which may occur during the assembly.

**WinSafe WS 44**

- Based on the mounting and operating for WinSafe WS 44 please drill the 3 holes for the window lock and any required underlays.
  - Caution: Do not drill through the frame.**
  - TIP:** Measure the distances of the metal profile located inside the framework toward the inside of the frame. Shape and location of the metal profile may differ from Fig. 1.
- Drill upper and lower hole with a Ø13 mm drill approximately 40 mm deep.
  - Caution: Do not drill through the frame.**
  - TIP:** Measure the distances of the metal profile located inside the framework toward the inside of the frame. Shape and location of the metal profile may differ from Fig. 1.
- Place the drilling template onto the frame alongside the groove and mark the drill hole from the inside to the rebate side. The location is determined by the point of the Ø10 mm hole. The drill should not hit a bar of the metal profile.
  - Caution: The drill hole must be made within the range of the template slot.**
- Drill the Ø10 mm hole at the marked position through the frame and then drill with a Ø10 mm masonry drill 120 mm deep into the masonry.
  - TIP:** The screws should at least be screwed 5 mm into the inner thread bolt.
- Insert two of the enclosed M8 screws through the window lock and any required underlays. Keep the window lock WS 44 to the inside of the frame with the screw on the rebate side. The screw should be as close as possible to the Ø10 mm hole (s. Fig.2). If necessary, choose a different screw length.
  - TIP:** The screws should at least be screwed 5 mm into the inner thread bolt.
- Screw the inner thread bolt on the screws, so that the profile anchor can be guided from the side through the drill holes of the screw-in bolt.
  - TIP:** The screws should at least be screwed 5 mm into the inner thread bolt.
- Now tighten the screws and continue with mounting the WinSafe WS 44.
  - TIP:** When mounted on the lower frame profile the profile anchor can be sealed with e.g. silicone.



The manufacturer assumes no liability for any damage or injury which may occur during the assembly.