



Electronic door locks secuENTRY pro



EASY DOOR LOCK-
ING REDEFINED.

Electronic locking technology for the sophisticated requirements in the private sector, for businesses and authorities.

secuENTRY pro

THE SMART LOCKING TECHNOLOGY

For the sophisticated requirements in the private sector, for businesses and authorities. BURG-WÄCHTER combines state-of-the-art technology with maximum convenience with the secuENTRY pro series. Precisely the properties that customers expect from an electronic door lock.

Of course each user is able to find the right identification medium for opening the door. Because the electronic door cylinders can be operated using a code, a finger scan, passive or active transponder or smartphone. The system couldn't be more flexible. And the cherry on the cake is the smart software solutions that the innovative secuENTRY pro series from BURG-WÄCHTER offers hotel operators and holiday apartments owners.



Brilliant! The secuENTRY series from BURG-WÄCHTER was awarded the PLUS X AWARD accolade as the „Bests Product“. And the series (‘‘Quality Made in Germany’’) was awarded the seal of quality in the categories Design and High Quality as well as for ease of use and functionality.

secu **ENTRY** pro

Content

Cylinder

secuENTRY pro 7000	14
secuENTRY pro 7100	16
secuENTRY pro 7116 DUO	18
secuENTRY pro 7010 TWIN	20
secuENTRY pro 7030 HALF	22
secuENTRY pro Adapter	24
secuENTRY pro DUO CH Adapter 22 mm	25
secuENTRY shaft for cylinder 7100	26

Identification media

secuENTRY pro 5711 Pin	30
secuENTRY pro 5712 Fingerprint	32
secuENTRY pro 5710 Transponder	34
secuENTRY pro 5713 sE-Key	36

Add-on Module

secuENTRY pro 7071 Relay	40
secuENTRY pro 7072 Remote	42
secuENTRY pro 7073 Enrolment	44
secuENTRY pro 7074 Transponder Extender	46
secuENTRY 5670 Bridge	48

Software

secuENTRY pro 7083 System	52
secuENTRY pro 7090 Hotel	54



Ideal for businesses: Employees unlock the secuENTRY door cylinder by finger print scan, code or transponder. All access rights are conveniently software managed.



KEYS? THEY BELONG TO THE PAST!

Ideal for private use: Never misplace or lose a key again – with the secuENTRY system you always have your "key" with you. The house or apartment door is unlocked using a code or by a finger print scan.

The secuENTRY door cylinder

THE CORE OF THE SYSTEM.

State-of-the-art technology meets uncomplicated installation and timeless design: With an electronic door cylinder from the secuENTRY range users experience the most convenient way to lock and unlock doors.

Code, fingerprint, transponder or smartphone: The electronic secuENTRY door lock achieves a whole new level in terms of flexible door opening.

BURG-WÄCHTER offers the perfect door cylinder and the best opening option for every requirement and every application. No matter whether for private use, as a company with hundreds of employees, hotelier or owner of a holiday apartment; with an electronic secuENTRY door cylinder unlocking the door is more convenient than ever before and the key becomes a thing of the past. All secuENTRY door cylinders operate with secure data transmission. No more worries about tampering. The great advantage of this system is that the conventional mechanical door cylinder can be replaced with a new secuENTRY door cylinder within a few minutes. Even inexperienced do-it-yourselfers can exchange the cylinder without any difficulties. The secuENTRY door cylinder fits all common door thicknesses. It couldn't be any simpler!



How a secuENTRY door cylinder works.

External door knob: This receives the RFID signal (radio-frequency identification) for locking or unlocking the electronic door lock. The increasingly popular secuENTRY 5710 passive transponders use practical RFID technology. After the signal has been checked, the external knob is activated and can be turned to open or close the door. The external knob is activated for approximately seven seconds after the signal has been received (coupling time).

Profile cylinder: The electronic secuENTRY door cylinder replaces the old mechanical lock cylinder. Depending on the model, the length of the secuENTRY cylinder can be easily adjusted to all common door thicknesses using a latching system or adapter. There is no need to measure the door before purchase. This eliminates the risk of buying the wrong cylinder for your door. Depending on the model, there is also a mechanical emergency lock in the profile cylinder.

Locking cam: The locking cam is located in the middle of the locking cylinder. If the signal to lock or unlock the door is correct, the cylinder engages and the locking cam moves the door lock to the desired position.

Internal door knob: This receives the secure Bluetooth signal triggered by a pin code, fingerprint or active transponder for unlocking the door. Unlike the external door knob, the internal door knob is permanently engaged. This enables the door to be opened from the inside all times allowing the occupants to evacuate the house or apartment quickly in an emergency.

Everything at a glance!

THE secuENTRY pro PRODUCTS

An electronic door cylinder plus a means of unlocking of your choice. This is all that is needed to experience the complete convenience of secuENTRY. After that you will never again misplace or lose a key.

1. secuENTRY Keypad

Unlock the door using a six-digit code or your finger print. What could be more convenient? You always have both of these with you and they cannot be misplaced. The keypad is available in two versions: secuENTRY pro 5712 FP Fingerscan enables up to 300 users to unlock the door by fingerprint scan. The secuENTRY pro 5711 PIN keypad is designed for opening the door using a pin code only and is used in our clever solutions for hotels and holiday apartments.

2. Transponder

Two transponders are available as unlocking media: The active transponder and the passive transponder. The passive transponder is particularly popular with companies and authorities. It works without batteries and is completely maintenance-free. The passive transponder is simply held directly in front of the external knob of the secuENTRY door cylinder and the door can be opened.

3. secuENTRY door cylinder

Whether standard cylinder or half cylinder. Whether with an active external knob for unlocking with a passive transponder or not. Whether with a mechanical emergency lock or without. The secuENTRY pro series offers the right cylinder for every application.

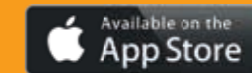


1



With the free secuENTRY KeyApp: Unlock doors using a smartphone

The smartphone has been our constant companion for some time now. The free secuENTRY KeyApp now turns your smartphone into an additional key for any number of secuENTRY door locks. The KeyApp is available for download for iOS and Android from the respective app stores. But the KeyApp can do more than just lock and unlock doors. The app can also be used to simply transmit a locking plan created with the secuENTRY software to the desired door cylinder.



3

secuENTRY pro

CYLINDER

Whether for companies, public authorities or sophisticated demands in the private sector: The secuENTRY pro series offers the perfect door cylinder for every user.

secuENTRY pro 7000

Order no.: 57130

Electronic cylinder for up to 2000 users

• Identification media:

- **Pincode:** 2000 user codes
- **Fingerprint:** 200-300 biometric user codes (max. 45 premium finger scans, 200-300 standard finger scans)
- **Passive transponder:** 2000 RFID keys
- **Smart devices:** 2000 BLE keys
- **Active transponder:** 2000 BLE keys

• History function: 2000 events

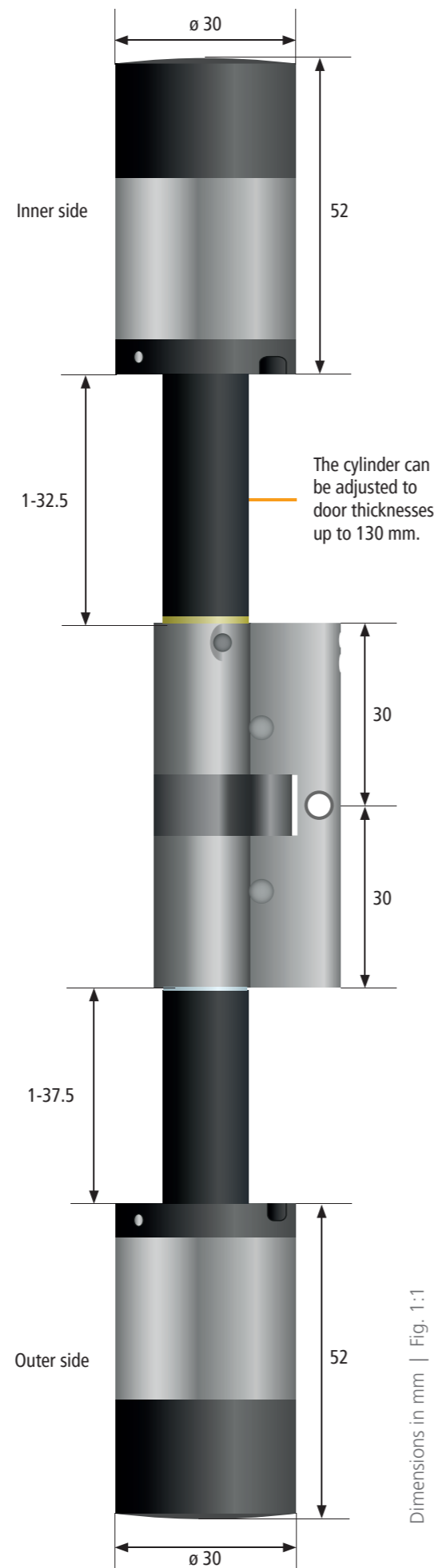
- **Can also be used as an anti-panic cylinder:** with free-wheel and panic function FZG* as standard in accordance with guideline FZG**, edition 2020-07-06 of the PIV.

* Fulfills the requirement of the class of the panic function F2 and FZG according to DIN 18252:2018-05.

** Tested by the Testing Institute Locks and Hardware Velbert (PIV)

Advantages:

- Up to 2000 passive transponders programmable
- Weatherproof - cylinder protection class: IP 65
- External Bluetooth receiver



Dimensions in mm | Fig. 1:1

Technical details

Model	Assembly in profile cylinder hole (DIN 18252, EN 1303) Approval and certification: <ul style="list-style-type: none"> • Conformity to all applicable EC guidelines • National laws must be checked separately
Power supply	1 x CR123A lithium battery
Permissible ambient conditions	* -15°C/+50°C / up to 95 % rel. air humidity (non condensing)
Number of possible activations per battery set	PINCODE up to 55,000 openings ¹ FINGERPRINT up to 55,000 openings ¹ PASSIV-TRANSPONDER up to 65,000 openings ¹
Cylinder length min./max.	Door thickness 60 to 130 mm: min. 30/30 mm, max. 67.5/62.5 mm (measured from centre of forend screw)
Backset	<ul style="list-style-type: none"> • Inward opening door² (standard knob): 30 mm • Outward opening door²: 30 mm
Active outer knob	<ul style="list-style-type: none"> • Reads passive transponders • Bluetooth receiver
Wireless range	Up to 4 m (AES encryption)
Protection class	IP65
Outer shaft	Plastic, brass ³
Inner shaft	Plastic, brass ³
Coupling duration	7 seconds
Data transfer cylinder	Bluetooth 4.0 LE (AES encrypted)
Special feature	Can also be used as an anti-panic cylinder ⁴

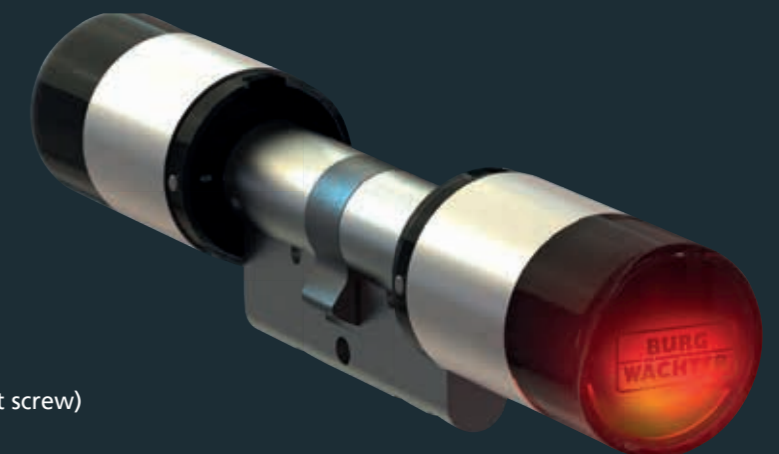
¹ Without permanent opening ² Applies to door leaf thicknesses where the profile cylinder does not project. Please inquire for other doors. ³ Optional accessories ⁴ more informations: <https://www.burg.biz/international/p/electronic-door-locking-systems/secuentry-pro-7000/>

Optional functions via secuENTRY 7083 software:

- User or group administration
- Time and calendar function
- Assignment of opening rights
- History trace
- Visitor transponder function programmable via secuENTRY 7073 Enrolment
- Programmable access rights and validity period

Scope of delivery:

- Cylinder (as shown)
- Spacers
- Installation material (e.g. forend screw/hexagon socket screw)
- Cover rosette
- Serial number/Factory administration code
- QR code for teaching the products
- 1 x CR123A lithium battery
- Operating Instructions



Optional

- with active transponder
- with passive transponder

secuENTRY pro 7100

Order no.: 57240

Electronic cylinder for up to 2000 users

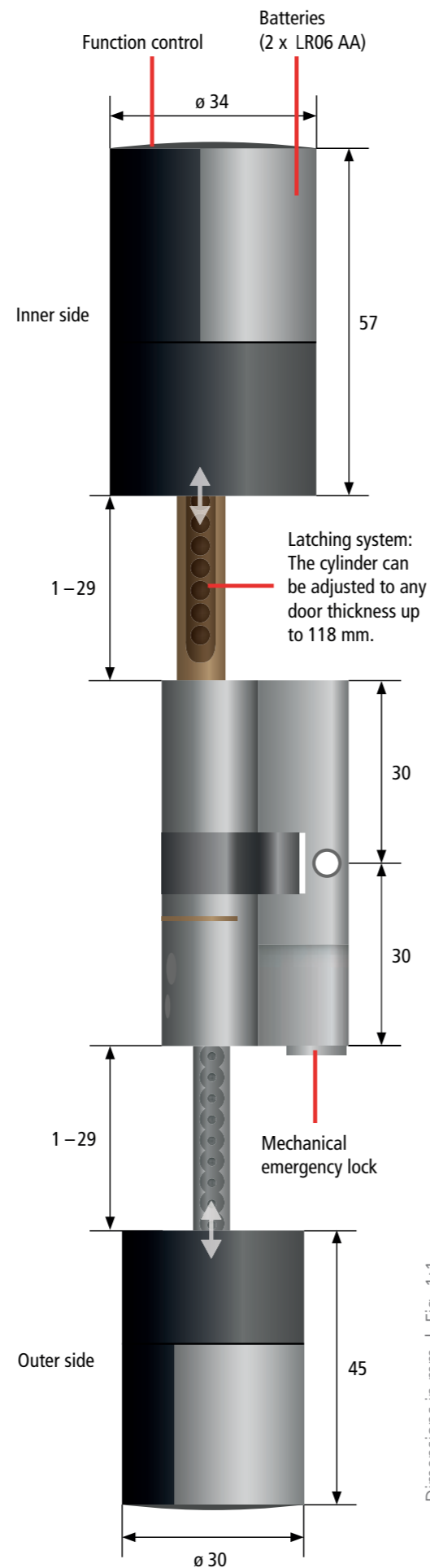
• Identification media

- **Pincode:** 2000 user codes
- **Fingerprint:** 200-300 biometric user codes (max. 45 premium finger scans, 200-300 standard finger scans)
- **Smart devices:** 2000 BLE keys
- **Active transponder:** 2000 BLE keys
- **History function:** 2000 events

Advantage:

- Incl. mechanical emergency lock
- Very easy installation

Emergency key



Technical details

Model	Assembly in profile cylinder hole (DIN 18252, EN 1303) Approval and certification: • Conformity to all applicable EC guidelines • National laws must be checked separately
Power supply	2 x Mignon LR06 AA alkaline
Permissible ambient conditions	* -15 °C/+50 °C / up to 95 % rel. air humidity (non condensing)
Number of possible activations per battery set	PINCODE up to 40,000 openings ¹ FINGERPRINT up to 40,000 openings ¹
Cylinder length min./max.	Adjustable on site using a latching system to door thicknesses up to 118 mm: min. 30/30 mm, max. 59/59 mm (measured from centre of forend screw) Extendible externally as an option using the shaft extension
Backset	• Inward opening door ² (standard knob): 30mm • Outward opening door ² : 35 mm
Emergency unlocking	Mechanical emergency lock (optional synchronous locking)
Wireless range	Up to 4 m (AES encryption)
Protection class	–
Outer shaft	Stainless steel, drilled
Inner shaft	Brass
Coupling duration	7 seconds
Data transfer cylinder	Bluetooth 4.0 LE (AES encrypted)
Special feature	Manipulation protection

¹ Without permanent opening ² Applies to door leaf thicknesses where the profile cylinder does not project. Please inquire for other doors. ³ Optional accessories

Optional functions via secuENTRY 7083 software:

- User or group administration
- Time and calendar function
- Assignment of opening rights
- History trace

Scope of delivery:

- Cylinder (as shown)
- Installation material (e.g. forend screw/ hexagon socket screw)
- Cover rosette
- Serial number/Factory administration code
- QR code for teaching the products
- 2 x Mignon LR06 AA alkaline batteries
- Operating Instructions



Optional

- with active transponder

secuENTRY pro 7116 DUO

Order no.: 57150

Electronic cylinder for up to 2000 users

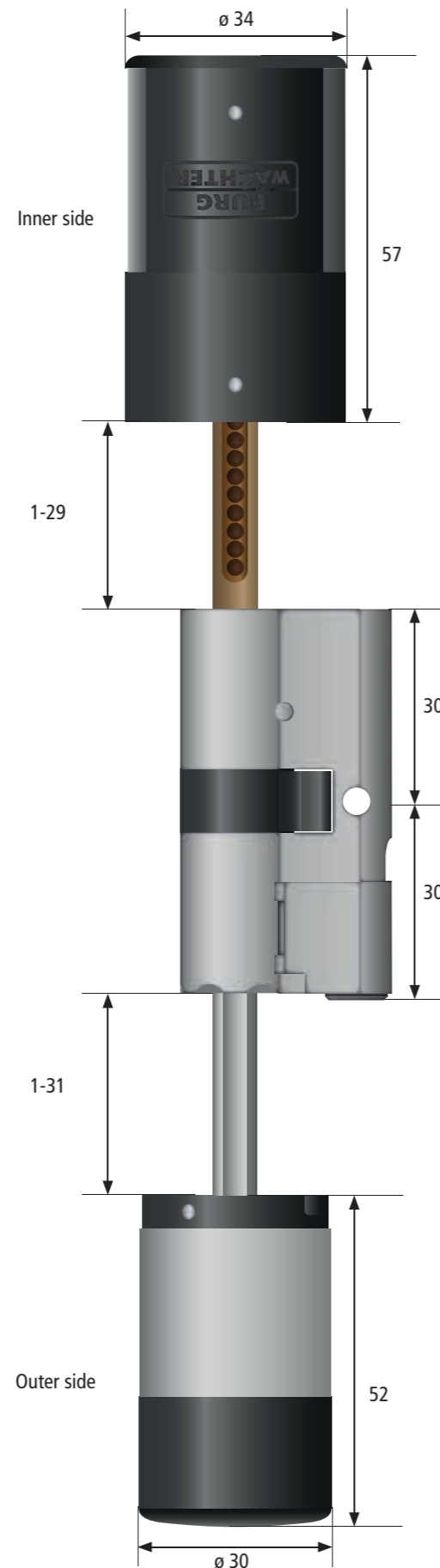
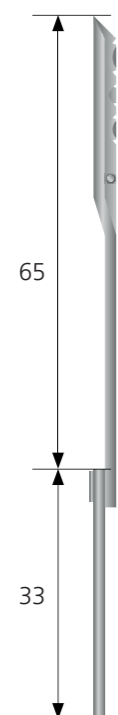
Identification media:

- **Pincode:** 2000 user codes
- **Fingerprint:** 200-300 biometric user codes (max. 45 premium finger scans, 200-300 standard finger scans)
- **Passive transponder:** 2000 RFID keys
- **Smart devices:** 2000 BLE keys
- **Active transponder:** 2000 BLE keys
- **History function:** 2000 events

Advantage:

- Up to 2000 passive transponders programmable
- Incl. mechanical emergency lock
- Simple installation

Emergency key



Technical details

Model	Assembly in profile cylinder hole (DIN 18252, EN 1303) Approval and certification: • Conformity to all applicable EC guidelines • National laws must be checked separately
Power supply	1 x CR123A lithium battery, 2 x Mignon LR06 AA alkaline
Permissible ambient conditions	* -15 °C/+50 °C / up to 95 % rel. humidity (non-condensing)
Number of possible activations per battery set	PINCODE up to 55,000 openings ¹ FINGERPRINT up to 55,000 openings ¹ PASSIV-TRANSPONDER up to 65,000 openings ¹
Cylinder length min./max.	Can be adjusted to door thickness up to 120 mm on site via latch system: min. 30/30 mm, max. 61/59 mm (measured from centre of forend screw)
Backset	• Inward opening door ² (standard knob): 30 mm • Outward opening door ² : 35 mm
Active outer knob	• Reads passive transponders • Bluetooth receiver
Wireless range	Up to 4 m (AES encryption)
Protection class	External knob: IP65 Internal knob: Inside door knob without IP protection
Outer shaft	Galvanized hexagonal steel shaft
Inner shaft	Brass
Coupling duration	7 seconds
Data transfer cylinder	Bluetooth 4.0 LE (AES encrypted)
Special feature	Manipulation protection
Emergency unlocking	Mechanical emergency lock (optional synchronous locking)

¹ Without permanent opening ² Applies to door leaf thicknesses where the profile cylinder does not project. Please inquire for other doors. ³ Optional accessories

Optional functions via secuENTRY 7083 software:

- User or group administration
- Time and calendar function
- Assignment of opening rights
- History trace

Scope of delivery:

- Cylinder (as shown)
- Spacers
- Installation material (e.g. forend screw/hexagon socket screw)
- Cover rosette
- Serial number/Factory administration code
- QR code for teaching the products
- 1 x CR123A Lithium battery,
2 x Mignon LR06 AA Alkaline
- Operating Instructions



Optional

- with active transponder
- with passive transponder

secuENTRY pro 7010 TWIN

Order no.: 57140

Electronic cylinder for up to 2000 users

• Identification media:

- **Pincode:** 2000 user codes
- **Fingerprint:** 200-300 biometric user codes (max. 45 premium finger scans, 200-300 standard finger scans)
- **Passive transponder:** 2000 RFID keys
- **Smart devices:** 2000 BLE keys
- **Active transponder:** 2000 BLE keys

• History function: 2000 events

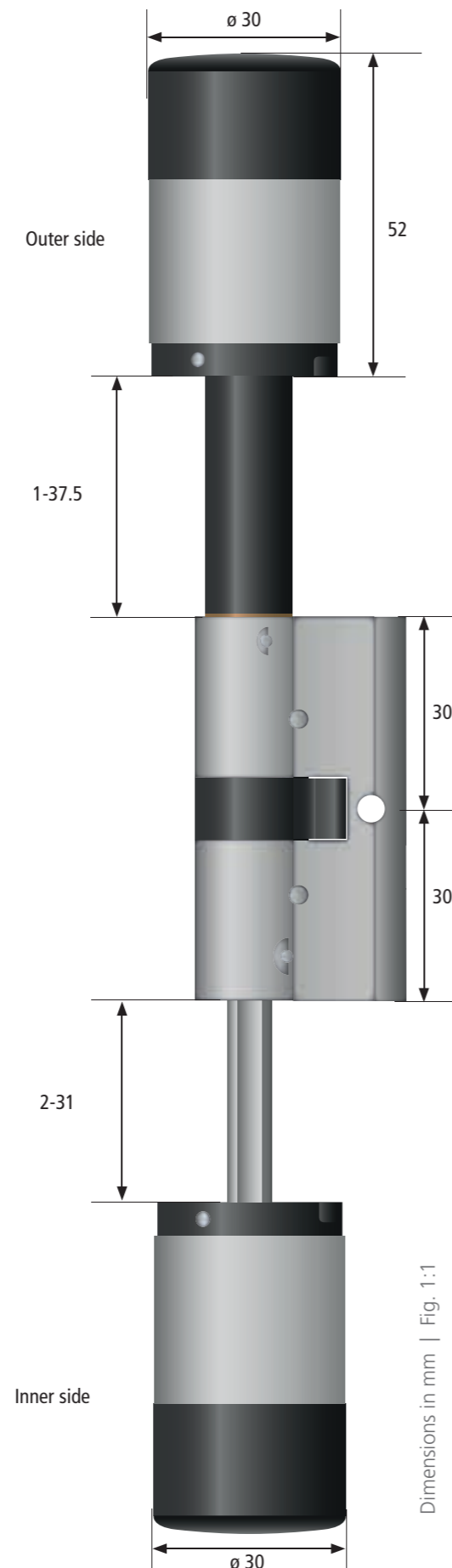
- **Can also be used as an anti-panic cylinder:** with free-wheel and panic function FZG* as standard in accordance with guideline FZG**, edition 2020-07-06 of the PIV.

* Fulfills the requirement of the class of the panic function F2 and FZG according to DIN 18252:2018-05.

** Tested by the Testing Institute Locks and Hardware Velbert (PIV)

Advantages:

- Up to 2000 passive transponders programmable
- Cylinder protection class: IP 65
- Free-running on both sides
- Identification required from both sides



Dimensions in mm | Fig. 1:1

Technical details

Model	Assembly in profile cylinder hole (DIN 18252, EN 1303) Approval and certification: • Conformity to all applicable EC guidelines • National laws must be checked separately
Power supply	2 x CR123A lithium batteries (internal/external knob)
Permissible ambient conditions	* -15 °C/+50 °C / up to 95 % rel. air humidity (non condensing)
Number of possible activations per battery set	PINCODE up to 55,000 openings ¹ FINGERPRINT up to 55,000 openings ¹ PASSIV-TRANSPONDER up to 65,000 openings ¹
Cylinder length min./max.	Door thickness 60 to 127.5 mm: min. 30/30 mm, max. 67.5/60 mm (measured from centre of forend screw)
Backset	• Inward opening door ² (standard knob): 30 mm • Outward opening door ² : 30 mm
Active outer knob	• Reads passive transponders • Bluetooth receiver
Active inner knob	• Reads passive transponders • Bluetooth sender
Wireless range	Up to 4 m (AES encryption)
Protection class	IP65
Outer shaft	Plastic, brass ³
Inner shaft	Galvanized hexagonal steel shaft
Coupling duration	7 seconds
Data transfer cylinder	Bluetooth 4.0 LE (AES encrypted)
Special feature	Can also be used as an anti-panic cylinder ⁴

¹ Without permanent opening ² Applies to door leaf thicknesses where the profile cylinder does not project. Please inquire for other doors. ³ Optional accessories ⁴ more informations: <https://www.burg.biz/international/p/electronic-door-locking-systems/secuentry-pro-7010-twin/>

Optional functions via secuENTRY 7083 software:

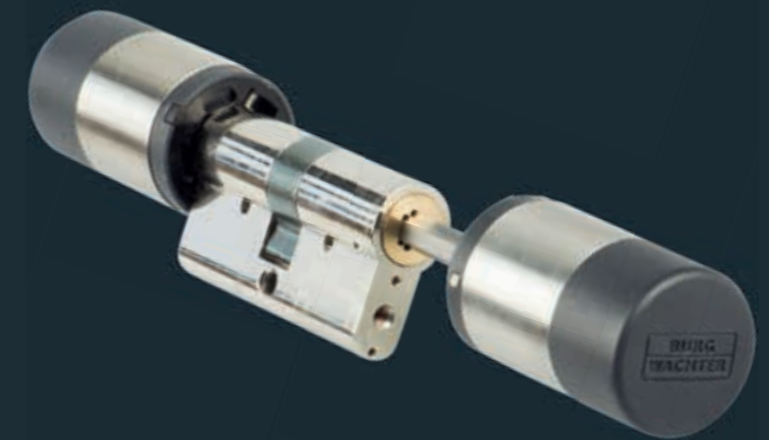
- User or group administration
- Time and calendar function
- Assignment of opening rights
- History trace
- Visitor transponder function (Programmable access rights and validity period programmable)

Scope of delivery:

- Cylinder (as shown)
- Spacers
- Installation material (e.g. forend screw/hexagon socket screw)
- Cover rosette
- Serial number/Factory administration code
- QR code for teaching the products
- 2 x CR123A lithium batteries
- Operating Instructions

Optional

- with active transponder
- with passive transponder



secuENTRY pro 7030 HALF

Order no.: 57160

Electronic cylinder for up to 2000 users

• Identification media:

- **Pincode:** 2000 user codes
- **Fingerprint:** 200-300 biometric user codes (max. 45 premium finger scans, 200-300 standard finger scans)
- **Passive transponder:** 2000 RFID keys
- **Smart devices:** 2000 BLE keys
- **Active transponder:** 2000 BLE keys

• History function: 2000 events

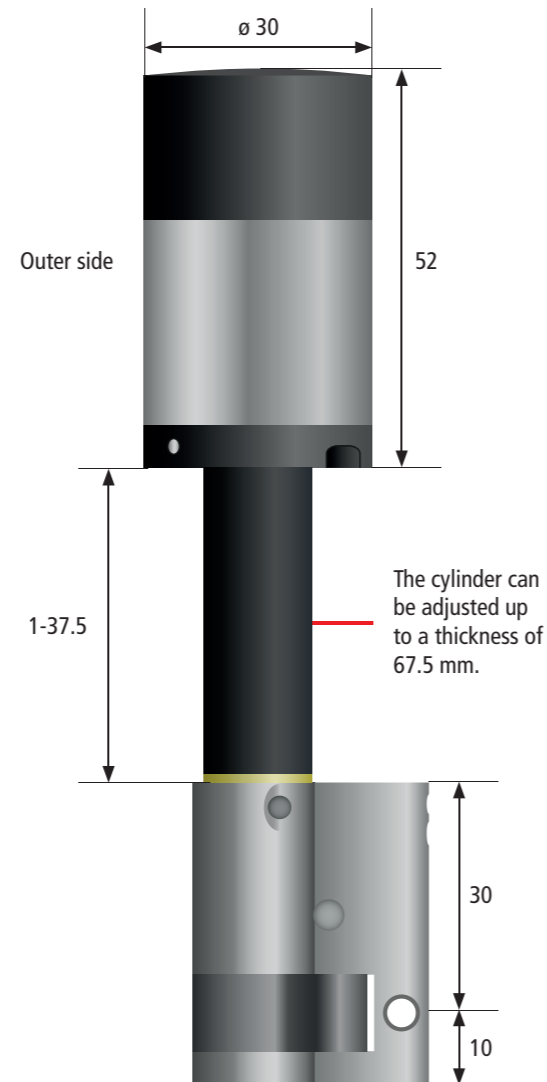
- **Can also be used as an anti-panic cylinder:** with free-wheel and panic function FZG* as standard in accordance with guideline FZG**, edition 2020-07-06 of the PIV.

* Fulfills the requirement of the class of the panic function F2 and FZG according to DIN 18252:2018-05.

** Tested by the Testing Institute Locks and Hardware Velbert (PIV)

Advantages:

- Up to 2000 passive transponders programmable
- Cylinder protection class: IP 65



Dimensions in mm | Fig. 1:1

Technical details

Model	Assembly in profile cylinder hole (DIN 18252, EN 1303) Approval and certification: • Conformity to all applicable EC guidelines • National laws must be checked separately
Power supply	1 x CR123A lithium battery
Permissible ambient conditions	* -15°C/+50°C / up to 95 % rel. air humidity (non condensing)
Number of possible activations per battery set	PINCODE up to 55,000 openings ¹ FINGERPRINT up to 55,000 openings ¹ PASSIV-TRANSPONDER up to 65,000 openings ¹
Cylinder length min./max.	Total length up to 77.5 mm: min. 30/10 mm, max. 67.5/10 mm (measured from the centre of the forend screw)
Backset	• Inward opening door ² (standard knob): 30 mm
Active outer knob	• Reads passive transponders • Bluetooth receiver
Wireless range	Up to 4 m (AES encryption)
Protection class	IP65
Outer shaft	Plastic, brass ³
Coupling duration	7 seconds
Data transfer cylinder	Bluetooth 4.0 LE (AES encrypted)
Special feature	Can also be used as an anti-panic cylinder ⁴

¹ Without permanent opening ² Applies to door leaf thicknesses where the profile cylinder does not project. Please inquire for other doors. ³ Optional accessories ⁴ more informations: <https://www.burg.biz/international/p/electronic-door-locking-systems/secuentry-pro-7030-half/>

Optional functions via secuENTRY 7083 software:

- User or group administration
- Time and calendar function
- Assignment of opening rights
- History trace
- Visitor transponder function (Programmable access rights and validity period programmable)

Scope of delivery:

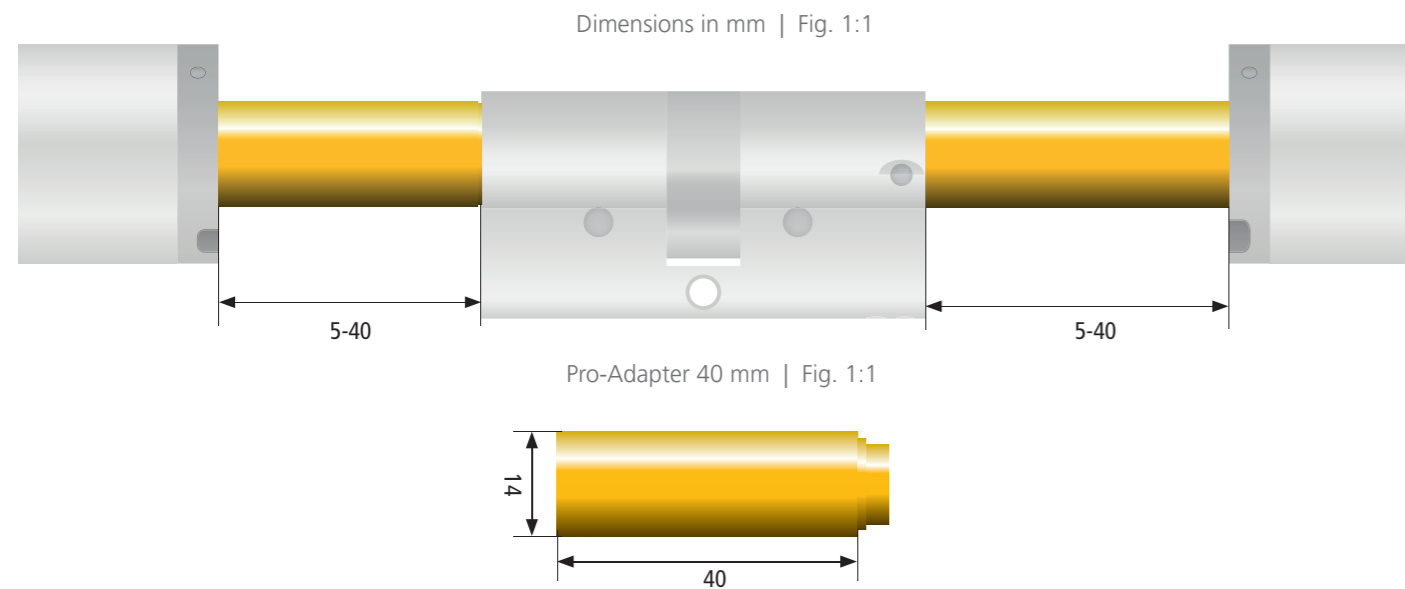
- Cylinder (as shown)
- Installation material (e.g. forend screw/hexagon socket screw)
- Cover rosette
- Serial number/Factory administration code
- QR code for teaching the products
- CR123A battery
- Operating Instructions



Optional

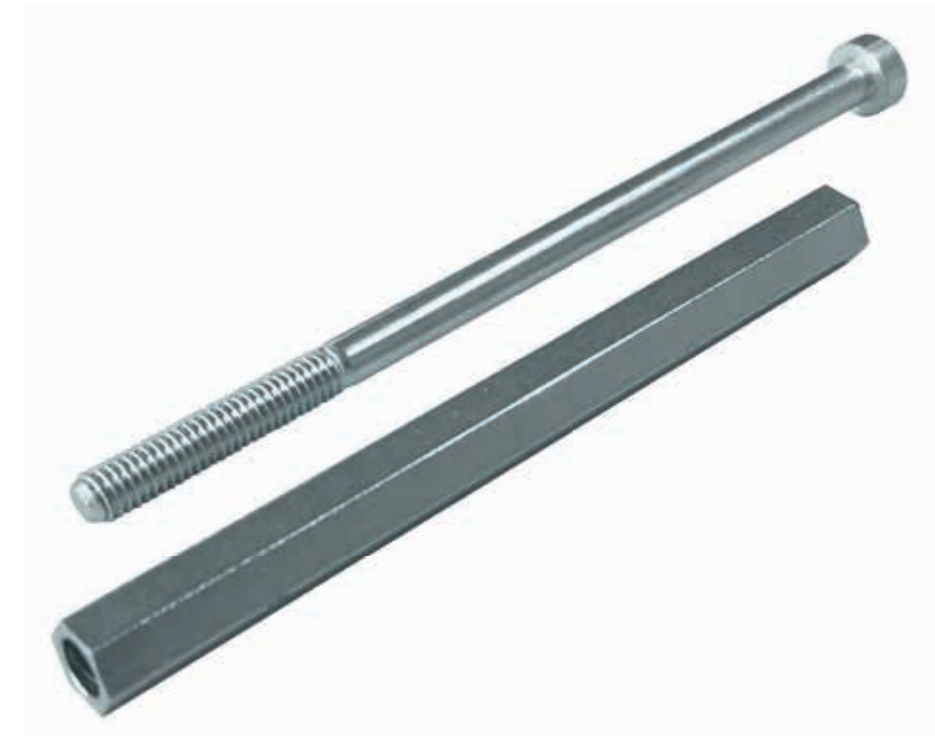
- with active transponder
- with passive transponder

secuENTRY pro Adapter



Shaft extension ENTRY 5672

Bestell-Nr.: 56722

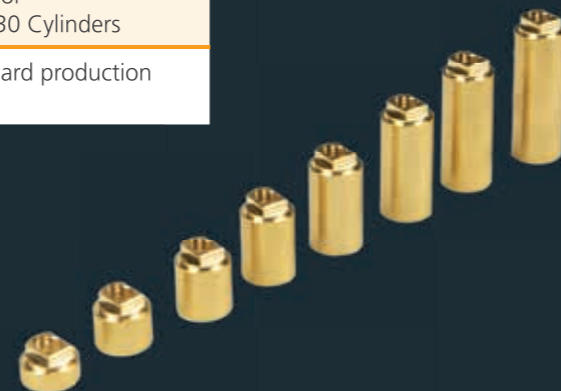


Technical details

Material	Brass
Sizes and order no.	<ul style="list-style-type: none"> • Pro-Adapter 5 mm (Order no.: 39200) • Pro-Adapter 10 mm (Order no.: 39210) • Pro-Adapter 15 mm (Order no.: 39220) • Pro-Adapter 20 mm (Order no.: 39230) • Pro-Adapter 25 mm (Order no.: 39240) • Pro-Adapter 30 mm (Order no.: 39250) • Pro-Adapter 35 mm (Order no.: 39260) • Pro-Adapter 40 mm (Order no.: 39270)
Installation	Mounting on secuENTRY cylinder (internal and external)
Intended purpose	Extension of locking shafts for secuENTRY 7000, 7010, 7030 Cylinders
Comment	Optional article to the standard production plastic extensions

Scope of delivery:

- Pro Adapter 5-20 mm: PU each 5 pcs.
- Pro Adapter 25-40 mm: PU each 3 pcs.



Technical details

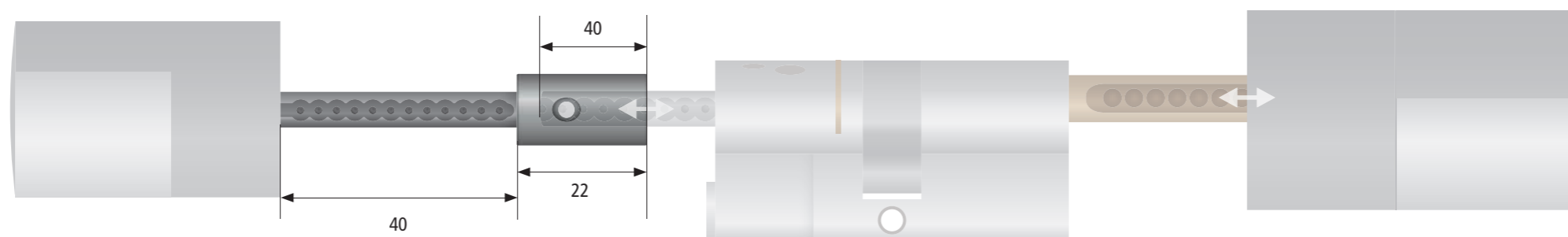
Material	Hexagon steel shaft
Fastening	Maximum extension of the outer shaft: 101 mm (measured from the forend centre). centre) only for cylinder 7116, 7650 or easy+ cylinder

Scope of delivery:

- Shaft extension, correspondingly long screw

secuENTRY shaft extension for cylinder 7100

Order no.: 56450



Dimensions in mm | Fig. 1:1

Technical details

Material	Stainless steel
Fastening	The original shaft must be adjusted depending on the door dimensions.
Adjustment	For the intervals of 61 to 77 mm (measured from the centre of the forend screw), the standard shaft must be shortened by up to 16 mm!
Extension of outer shaft maximum	104 mm (measured from the centre of the forend screw) only for cylinder 7100 or easy cylinder

Scope of delivery:

- Shaft extension
- Mounting splint



secuENTRY pro

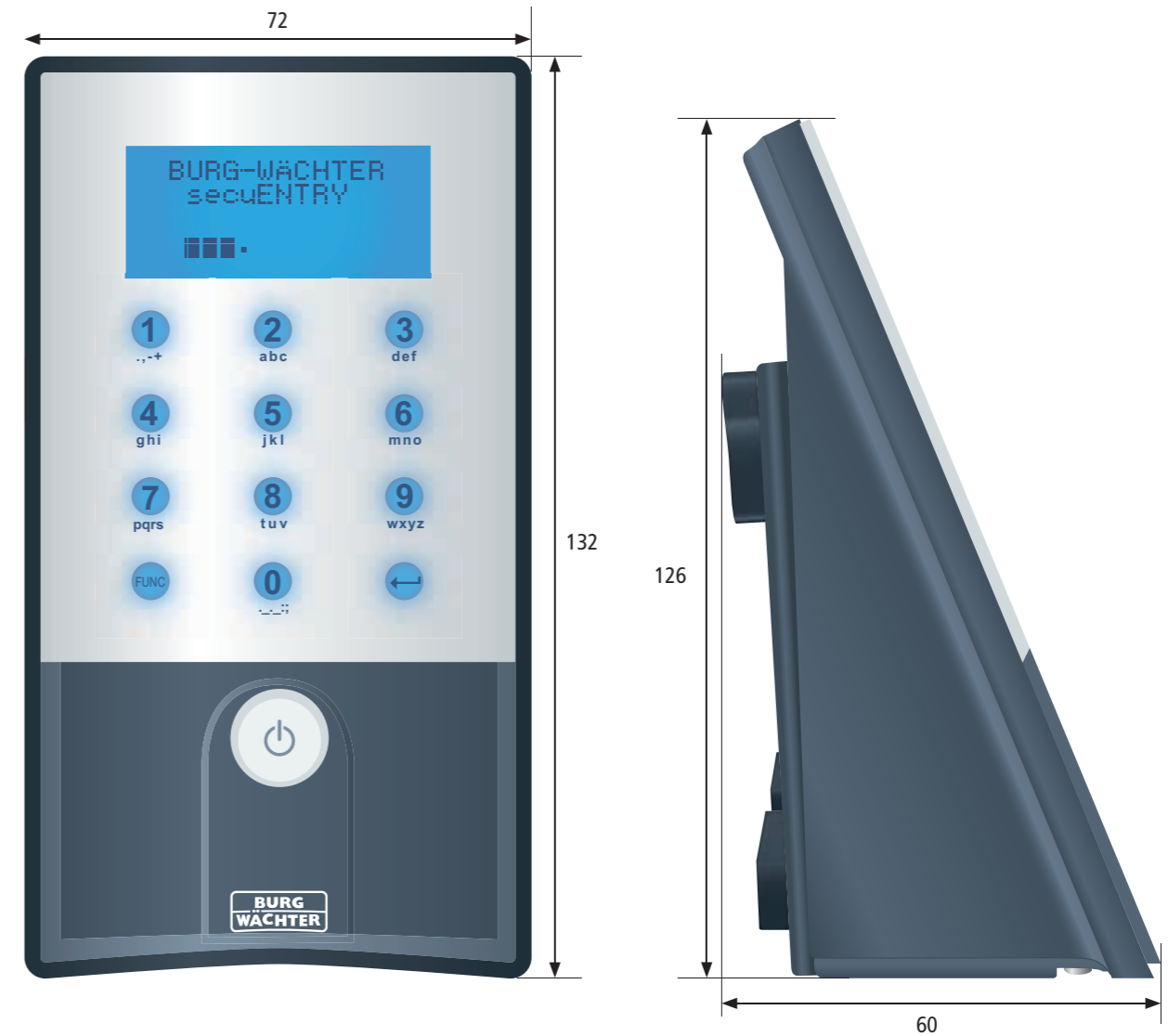
IDENTIFICATION MEDIA

The secuENTRY pro series offers maximum flexibility when it comes to door opening. Users can choose between unlocking by code, finger scan, active or passive transponder and smartphone.

secuENTRY pro 5711 Pincode

Order no.: 57110

- Wireless pincode keyboard as identification media
- Data transfer Bluetooth 4.0 LE, AES encrypted
- Touch panel with mechanical power button



Dimensions in mm | Fig. 1:1

Technical details

Power supply	2 x Mignon LR06 AA alkaline
keypad	Touch panel control panels
Code entry	6 digits
Blocking time	After 3 x wrong code is entered 1 minute, then always 3 minutes
Display	12 preset languages (DE, EN, FR, NL, IT, ES, PL, PT, RO, CS, HU, SL), a further language can be programmed using software (TR, DK, others on request)
Protection class	IP65
Wireless range	Up to 4 m (AES encryption)
Data transmission	Bluetooth 4.0 LE (AES encrypted)

Compatible with*:

- secuENTRY pro 7000 Cylinder
- secuENTRY pro 7100 Cylinder
- secuENTRY pro 7116 Cylinder
- secuENTRY pro 7010 Cylinder
- secuENTRY pro 7030 Half Cylinder
- secuENTRY pro 7071 Relay

* Compatible with all products of the secuENTRY series.

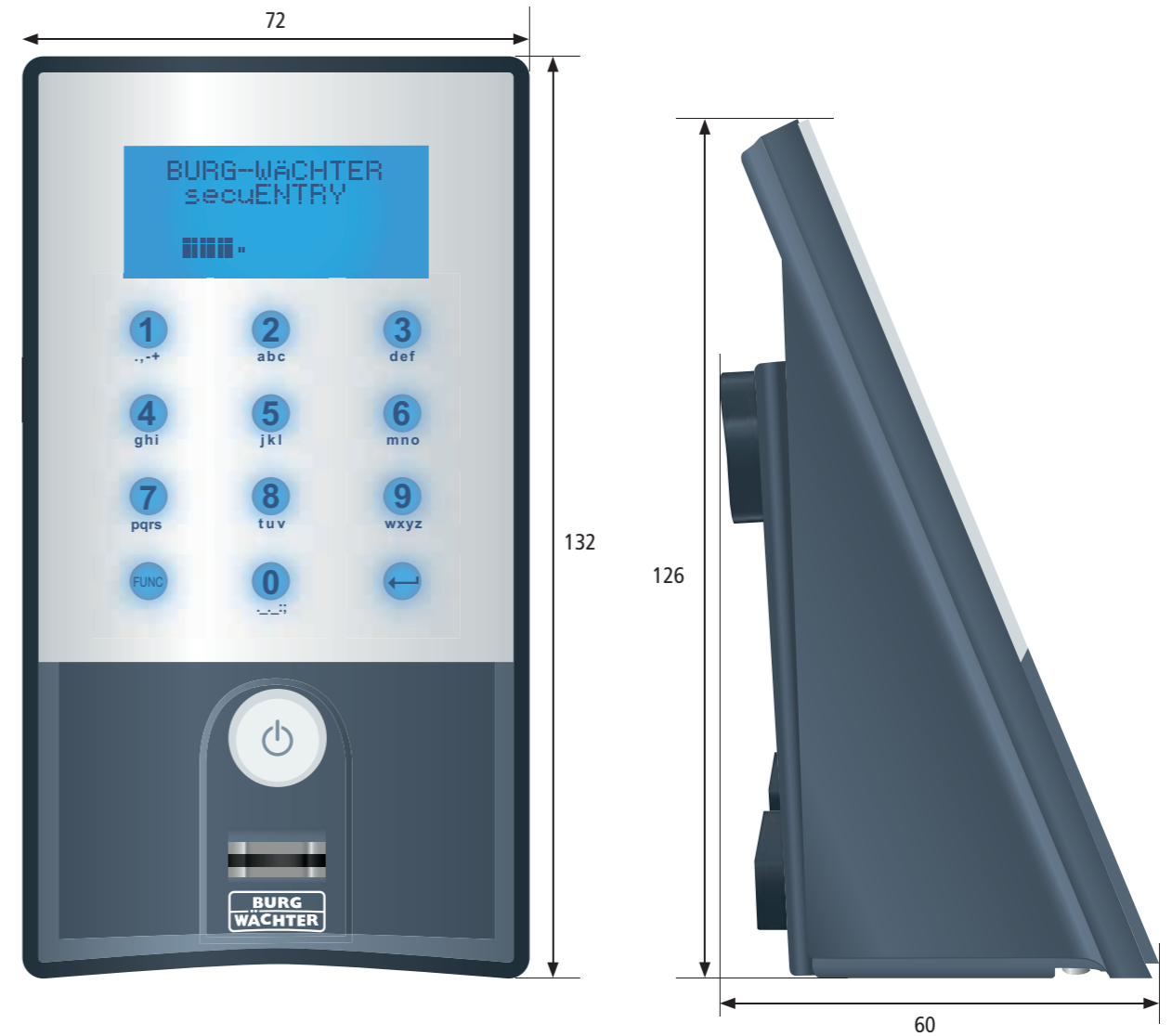
Scope of delivery:

- Fixing plate
- 4 Adhesive strips/screws and dowels
- Glass pane background film
- Operating Instructions
- QR code for teaching the products
- Screwdriver TX 8
- 2 x Mignon LR06 AA alkaline

secuENTRY pro 5712 Fingerprint

Order no.: 57120

- Wireless pincode keyboard with fingerprint reader as identification media
- Data transfer Bluetooth 4.0 LE, AES encrypted
- Touch panel with mechanical power button



Dimensions in mm | Fig. 1:1

Technical details

Power supply	2 x Mignon LR06 AA alkaline
keypad	Touch panel control panels
Code entry	6 digits
Blocking time	After 3 x wrong code is entered 1 minute, then always 3 minutes
Display	12 preset languages (DE, EN, FR, NL, IT, ES, PL, PT, RO, CS, HU, SL), a further language can be programmed using software (TR, DK, others on request)
Protection class	IP55
Wireless range	Up to 4 m (AES encryption)
Data transmission	Bluetooth 4.0 LE (AES encrypted)

Compatible with*:

- secuENTRY pro 7000 Cylinder
- secuENTRY pro 7100 Cylinder
- secuENTRY pro 7116 Cylinder
- secuENTRY pro 7010 Cylinder
- secuENTRY pro 7030 Half Cylinder
- secuENTRY pro 7071 Relay

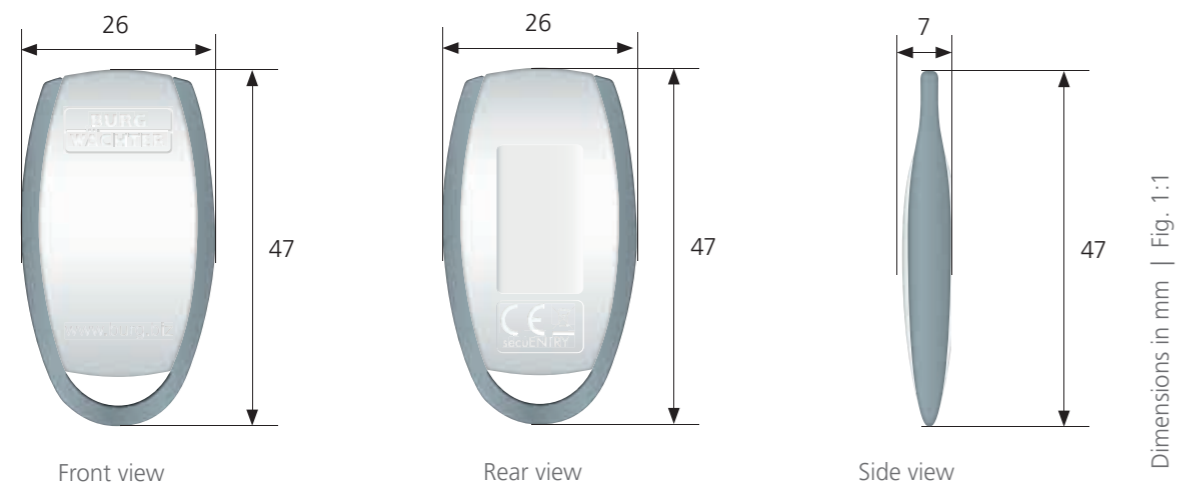
* Compatible with all products of the secuENTRY series.

Scope of delivery:

- Fixing plate
- 4 Adhesive strips/screws and dowels
- Glass pane background film
- Operating Instructions
- QR code for teaching the products
- Screwdriver TX 8
- 2 x Mignon LR06 AA alkaline

secuENTRY pro 5710 Transponder

Order no.: 57100



- Modern passive transponder
- Transponder can be read into the secuENTRY software via a QR code
- Transponder can be taught-in directly on the cylinder via the keypad
- Reading and writing of transponder via secuENTRY pro 7073 Enrolment
- ISO 15693 and ISO 14443A, 13.56 MHz
- Easily programmable access rights and validity period optional via the software 7083 and 5750



Technical details

Power supply	Battery-free passive transponder
Range	Approx. 2 mm
Applications	<ul style="list-style-type: none"> • Passive transponder as opening medium • Passive transponder as visitor transponder (programmable access rights and validity period)
Standard	MIFARE DESfire 128 Bit encrypted in ISO format 15693 and 14443A
Data transmission	Contactless data transmission, AES-encrypted
Application areas	Ideal for hotel use or for limited access rights

Compatible with:

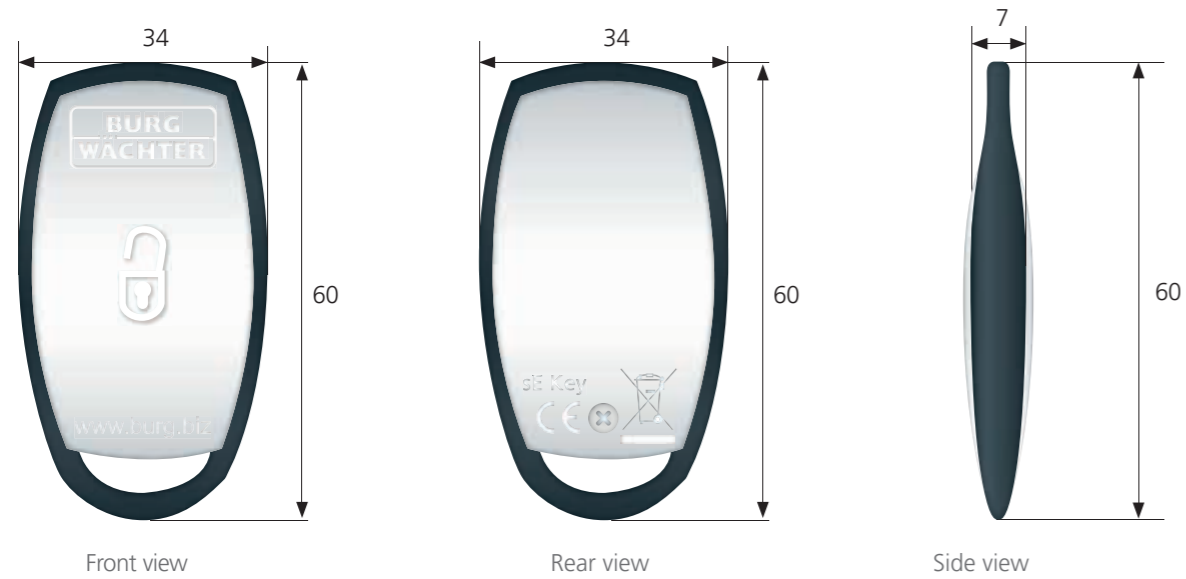
- secuENTRY pro 7000 Cylinder
- secuENTRY pro 7116 Cylinder
- secuENTRY pro 7030 Half Cylinder
- secuENTRY pro 7073 Enrolment
- secuENTRY 7074 Transponder Extender
- secuENTRY and easy plus

Scope of delivery:

- secuENTRY pro 5710 Transponder
- QR code for teaching the products
- Operating Instructions

secuENTRY pro 5713 sE-Key

Order no.: 57310



- Modern BLE active transponder
- The sE-Key can be read into the secuENTRY software via a QR code
- Transponder can be taught-in directly on the cylinder via the keypad
- Easily programmable access rights and validity period optional via the secuENTRY software 7083 and 5750



Technical details

Power supply	1 x CR2430 lithium battery
Permissible ambient conditions	-15°C to +50°C up to 95 % rel. humidity (non-condensing)
Number of possible activations per battery set	Up to 10,000 openings
Wireless range	Up to 4m (AES encryption)
Applications	Radio key as an opening medium
Wireless transmission	Bluetooth 5.2 LE (AES encrypted)

Compatible with*:

- secuENTRY pro 7000 Cylinder
- secuENTRY pro 7100 Cylinder
- secuENTRY pro 7010 Twin Cylinder
- secuENTRY pro 7116 Duo Cylinder
- secuENTRY pro 7030 Half Cylinder
- secuENTRY pro 7070 Relay

* Compatible with all products of the secuENTRY series.

Scope of delivery:

- secuENTRY pro 5713 sE-Key SB
- 1 x CR2430 lithium battery
- QR code for teaching the products

secuENTRY pro

ADD-ON MODULE

Many users or special applications require the matching technology. You are prepared for every situation using add-on modules

secuENTRY pro 7071 Relay

Order no.: 57180



Front view



Side view

Dimensions in mm | Fig. 1:1

- Control unit for switching external electrical devices (operation of roller shutters, barriers, lights, etc.)
- Integration into secuENTRY per locking plan
- Identification media:
 - Pin code: 2000 user codes
 - Fingerprint: 200-300 biometric user codes (max. 45 premium finger prints, 200-300 standard finger prints)
- Smart devices: 2000 BLE keys
- Active transponder: 2000 BLE keys
- Passive transponder: (in combination with secuENTRY 7074 Transponder Extender)
- History function: 2000 events
- Function via optional software:
 - User or group administration
 - Time and calendar function
 - Assignment of access rights
 - History function
 - Hotel mode
 - Relay timer

Compatible with:

- secuENTRY 7074 Transponder Extender
- secuENTRY 5711 PIN
- secuENTRY 5712 FP
- secuENTRY KeyApp
- sE-Key 5713 Active transponder
- sE-Key 5710 Passive transponder

Scope of delivery:

- secuENTRY pro 7071 Relay
- Serial number/Factory administration code
- QR code for teaching the products
- Operating Instructions

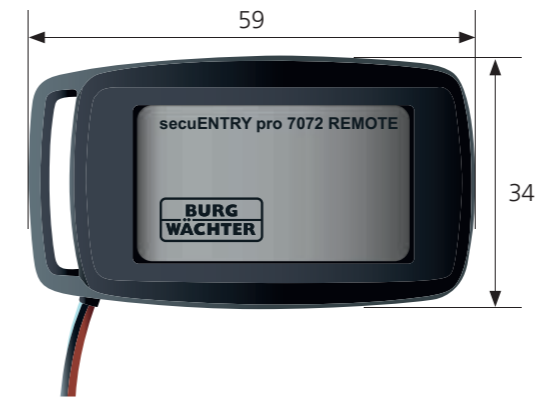
Technical details

Power supply	Power supply unit ¹ 6-12V direct current 500 mAh
Installation conditions	Install in a weatherproof and manipulation protected area
Compatibility	Compatible with secuENTRY 7074, 5710, 5711 (Pincode), 5712 (Fingerprint), 5713 and KeyApp
Wireless range	Up to 4 m (AES encryption)
Connections	6V to 12V DC 500 mAh <ul style="list-style-type: none"> • GND • COM • NC potential-free opener contact (max. 24V, 1A) • NO potential-free make contact (max. 24V, 1A)
Coupling duration	1 sec. up to 17:59:59 hrs.
Data transmission	Bluetooth 4.0 LE (AES encrypted)
Important!	No voltage of 230V must be switched through the relay! (max. 24V)
Use	Electrical control unit for switching external electrical devices (E-opener, garages, roller shutters, barriers etc.)

¹Power supply unit not included in scope of delivery.

secuENTRY pro 7072 Remote

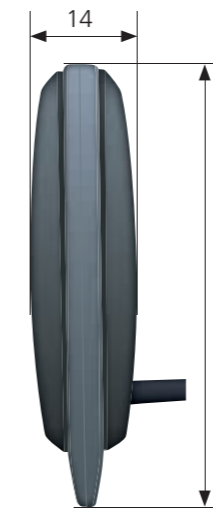
Order no.: 57190



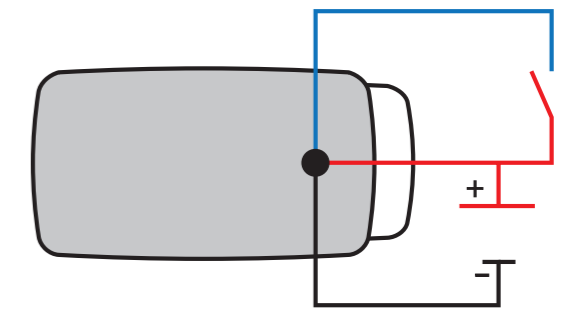
Front view



Rear view



Side view



Circuit diagram

Dimensions in mm | Fig. 1:1

- Switching unit for integration of external control units in secuENTRY locking systems (e.g. time recording, alarm systems, etc.) and identification media)
- Remote functions as "remote control".
- The secuENTRY pro 7072 Remote can exclusively be read into the software via the QR code.

Compatible with:

- secuENTRY pro 7000 Cylinder
- secuENTRY pro 7100 Cylinder
- secuENTRY pro 7116 Cylinder
- secuENTRY pro 7010 Cylinder
- secuENTRY pro 7030 Half Cylinder
- secuENTRY pro 7071 Relay

Scope of delivery:

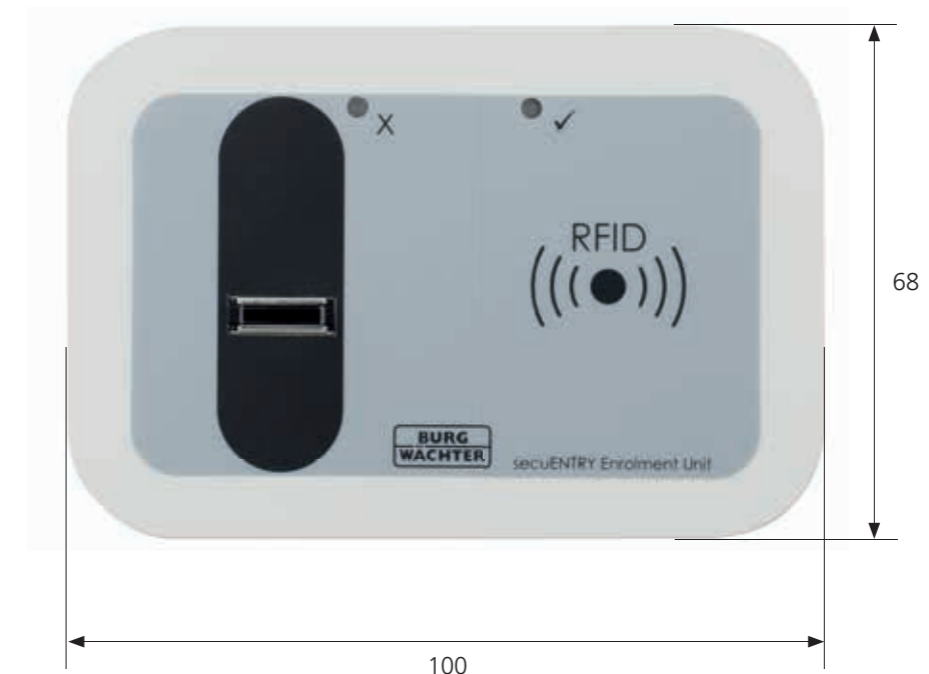
- secuENTRY pro 7072 Remote
- QR code for teaching the products
- Operating Instructions

Technical details

Power supply	Stabilised power supply unit! 5V-12V
Installation conditions	Install in a weatherproof and manipulation protected area
Reverse polarity protection	Available
Switch contact	Impulse duration 0.5-1 sec.
Compatibility	<ul style="list-style-type: none"> • secuENTRY pro 7000 Cylinder • secuENTRY pro 7100 Cylinder • secuENTRY pro 7116 Cylinder • secuENTRY pro 7010 Cylinder • secuENTRY pro 7030 Half Cylinder • secuENTRY pro 7071 Relay
Wireless range	Up to 4m (AES encryption)
Activation	Switching level max. 12V
Use	Switching unit for integration of external control units e.g. time recording, alarm systems etc. in secuENTRY locking systems.

secuENTRY pro 7073 Enrolment

Order no.: 57200



Front view



Side view

Dimensions in mm | Fig. 1:1

- USB programming device for the biometric Storing of locking authorized finger scans as well as passive transponders into the secuENTRY per administration software
- Greater convenience in the management of usage rights (e.g. with companies and authorities with different rights of use as well as visitor transponders)
- Use with PC-Software 7083 Software Pro
- Verification of saved fingerprint data sets

Technical details

Power supply	By USB
Connections	Micro USB cable – plug type A

Compatible with:

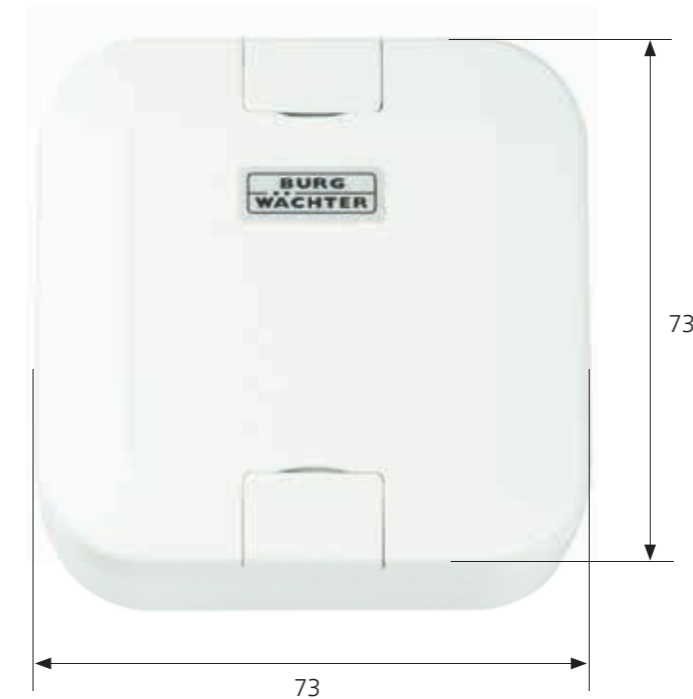
- secuENTRY pro 5710 Transponder

Scope of delivery:

- secuENTRY pro 7073 Enrolment
- USB cable
- Operating Instructions

secuENTRY pro 7074 Transponder Extender

Order no.: 56820



Front view



Side view

Dimensions in mm | Fig. 1:1

- Wall reader for unlocking doors
- secuENTRY pro 5710 Passive transponder transmits the unlocking signal to the wall reader
- Maximum radio range (AES-encrypted) between the wall reader and secuENTRY per door lock: approx. 4 m
- Audible feedback

Technical details

Power supply	CR123 A
Protection class	IP65
Wireless range	Up to 4 m (AES encryption)

Compatible with:

- secuENTRY pro 7000 Cylinder
- secuENTRY pro 7100 Cylinder
- secuENTRY pro 7116 Cylinder
- secuENTRY pro 7010 Cylinder
- secuENTRY pro 7030 Half Cylinder
- secuENTRY pro 7071 Relay

Scope of delivery:

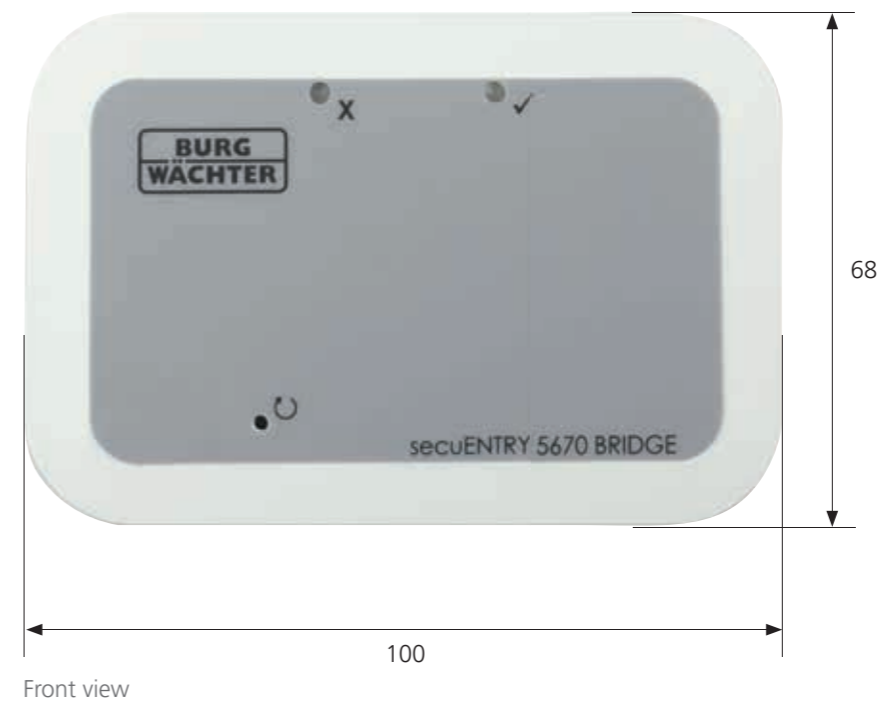
- secuENTRY pro 7074 Transponder Extender
- Serial number/Factory administration code
- QR code for teaching the products
- Operating Instructions

secuENTRY 5670 Bridge

Bestell-Nr.: 56280



Outstanding technology:
The secuENTRY Bridge from BURG-WÄCHTER was awarded the PLUS X AWARD 2020 for high quality, convenience and functionality.



Maßangaben in mm | Abbildungen 1:1

- secuENTRY Bridge enables remote opening of secuENTRY locking cylinders via KeyApp
- Family, friends & tradesmen can gain access - even when you are away from home
- An Internet connection is required: the bridge connects via WiFi (2.4 Ghz) and sends an encrypted Bluetooth signal to the secuENTRY locking cylinder
- Supports the programming of time-limited guest codes for holiday homes
- Remote programming via the KeyApp in combination with the secuENTRY software Light or Pro
- Low battery notification for the locking cylinder
- Easy installation and setup
- Suitable for indoor use
- Can be used in combination with the smart video doorbell Door eGuard 8500

Compatible with:

- secuENTRY pro 7000 Zylinder
- secuENTRY pro 7100 Zylinder
- secuENTRY pro 7116 Zylinder
- secuENTRY pro 7010 Zylinder
- secuENTRY pro 7030 Half Zylinder
- secuENTRY pro 7071 Relay

Scope of delivery:

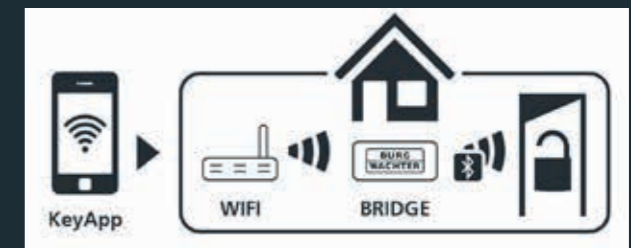
- secuENTRY 5670 Bridge
- QR code for teaching the products
- USB cable
- Operating Instructions

Technical details

Power supply	By USB
Connections	Micro USB cable – plug type A

This is how the secuENTRY Bridge works:

1. Register Bridge in the KeyApp
2. Transmit the opening signal (no matter where you are) to the secuENTRY door lock via the KeyApp
3. WLAN router receives the signal and forwards it to the Bridge
4. Bridge sends encrypted Bluetooth release to the door cylinder
5. The secuENTRY door lock can be opened



secuENTRY pro

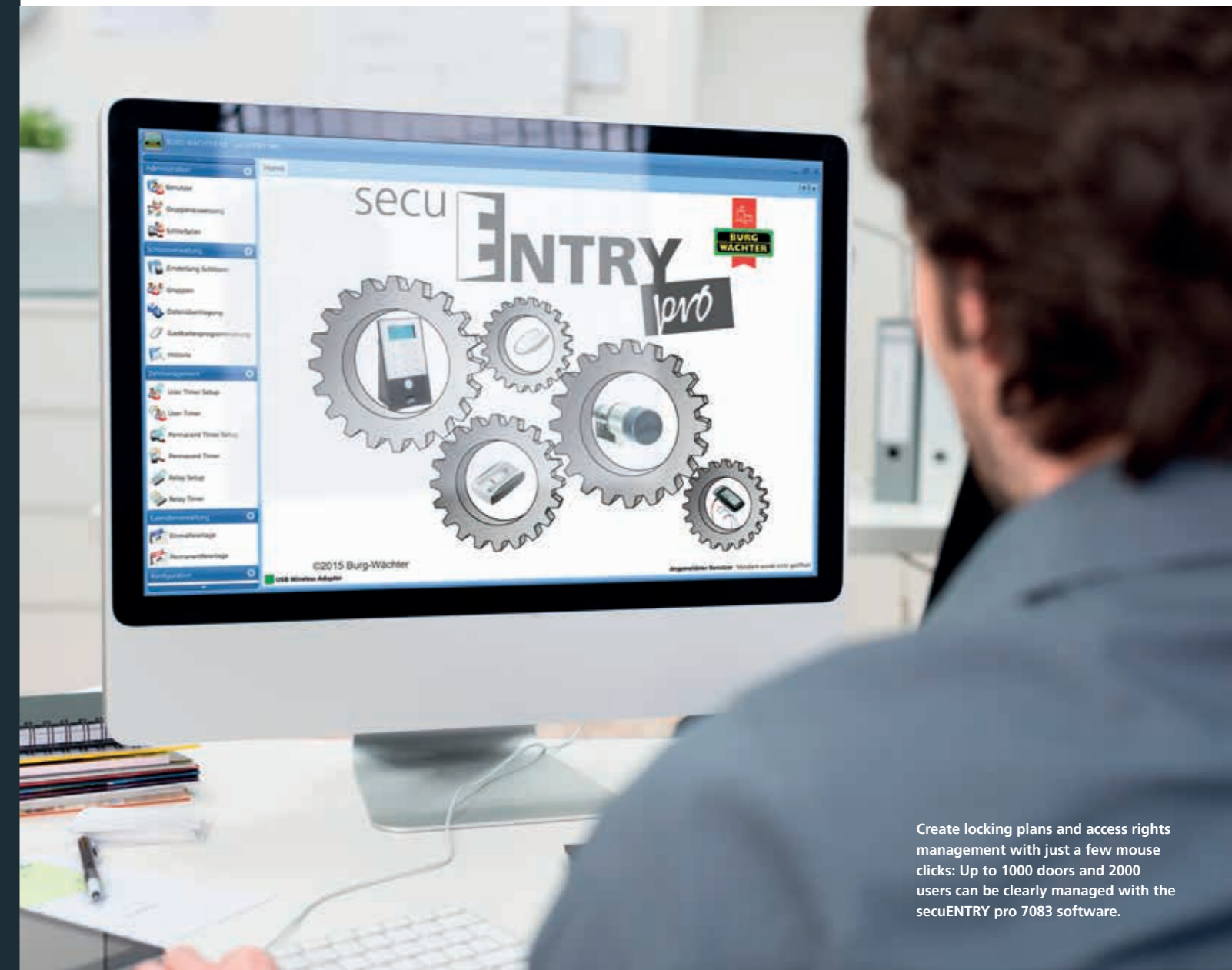
SOFTWARE

Setting up and managing a locking plan.
Sophisticated applications for hoteliers and
owners of holiday apartments. The corresponding
secuENTRY pro software makes it possible.

secuENTRY pro 7083 System

Order no.: 57215

- Management of up to 2000 users and 1000 doors (500 door in hotel mode) per client
- Naming of users, time functions, assignment of rights permanent opening function
- Import/export functions, password protection, backup functions
- Compatible with all secuENTRY per cylinder and secuENTRY Relay
- Programming the passive transponder secuENTRY pro 5710 via QR code and secuENTRY pro 7073 Enrolment
- Read in fingerprints via secuENTRY pro 7073 Enrolment
- Calendar function incl. holidays; history readout
- User Timer/Timer Sets: 24/50; Permanent Timer/Timer Sets 16/50
- Display when programming is required
- Free updates at www.burg.biz
- System prerequisites: Windows 7, 8, 10



Create locking plans and access rights management with just a few mouse clicks: Up to 1000 doors and 2000 users can be clearly managed with the secuENTRY pro 7083 software.

Compatible with:

- All secuENTRY products

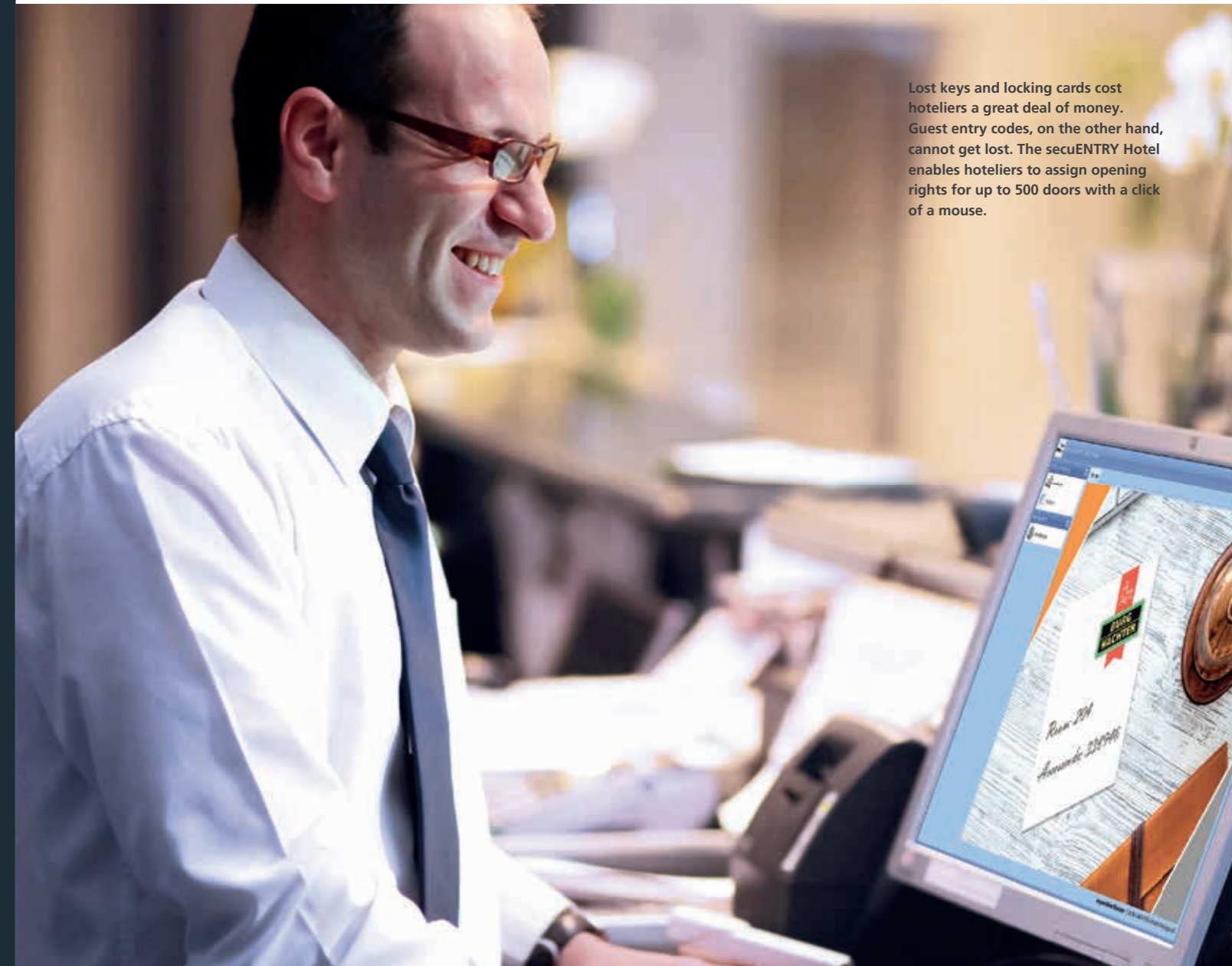
Scope of delivery:

- Link to download the secuENTRY pro 7083 system software
- Bluetooth adapter for transmitting data by USB cable
- Operating Instructions

secuENTRY pro 7090 Hotel

Order no.: 84340

- Wireless electronic locking system with guest codes
- Guest code with six digits contains all necessary information, also suitable for community doors, barriers and garage doors
- Determination of the check-out time
- Suitable for hotels and holiday resorts up to 500 doors
- Maximum booking time of 29 nights
- Not necessary to network the locks
- Basic requirement: secuENTRY pro 7083 system software (additional functions of the software can be used)
- Adjustment of software to the relevant hotel structure
- The software includes a Journal function
- Compatible with check-in machines and reservation software via interfaces
- System prerequisites: Windows 7, 8, 10 in standard configuration



Lost keys and locking cards cost hoteliers a great deal of money. Guest entry codes, on the other hand, cannot get lost. The secuENTRY Hotel enables hoteliers to assign opening rights for up to 500 doors with a click of a mouse.

Compatible with:

- secuENTRY pro 7000
- secuENTRY pro 7100
- secuENTRY pro 7116
- secuENTRY pro 7071
- secuENTRY pro 5711

Scope of delivery:

- USB flash drive with software
- Licence code for installing the software
- Instruction manual



ALWAYS THE
SAFE CHOICE!

BURG-WÄCHTER KG

Altenhofer Weg 15 | 58300 Wetter
Germany

Telephone: +49 (0) 23 35 965 30
Fax: +49 (0) 23 35 965 390
E-mail: info@burg.biz