

The secuENTRY family

The BURG-WÄCHTER secuENTRY pro locking system.

The secuENTRY pro is a new electronic locking system by BURG-WÄCHTER for greater locking convenience within the private and commercial sectors. The digital locking cylinder secuENTRY 7000 has a variety of uses, and can be operated by passive transponders and smartphones, as well as pincodes and fingerprints. The knob cylinder has a minimalistic design that combines comfort and the highest level of security.

The individual cylinders form a complete locking system, which can be expanded with components to grow with the users needs and requirements. The secuENTRY Relay enables the activation of door openers or roller doors. With the secuENTRY Remote, the impulse of an alarm system can be transferred to a locking cylinder. Access control is managed via PC software that allows for management of access codes, time-limited access and audit features. Combined with the secuENTRY Enrolment, passive transponders can also be programmed with time-limited access rights via the PC software.

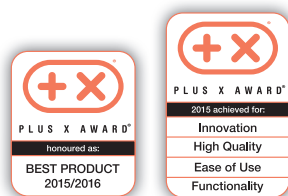
secuENTRY can do even more – two high-performance apps turn mobile smart devices into practical helpers for programming, and enable clearance of the cylinders and the evaluation units directly with a smartphone.

We are also pleased to introduce secuENTRY Hotel, generating unique guest access codes for multiple hotel rooms and specific booking periods allowing quick and easy check-in / check-out. The system is completely wireless and without networking.

You can also find further information on this in the separate brochure secuENTRY Hotel (EAN: 85941).

Awarded the PLUS X AWARD.

The secuENTRY range from BURG-WÄCHTER has been awarded the PLUS X AWARD "BEST PRODUCT 2015/2016", and also received the quality seal in the categories of high quality, design, operating comfort and functionality.



Assembly video and tips from pros.



Contents index

This catalogue contains all the information you need on the topic of secuENTRY pro.

Cylinder:	Page:
• secuENTRY pro 7000.....	4
• secuENTRY pro 7100.....	6
• secuENTRY pro 7030.....	8
• secuENTRY SHAFT EXTENSION.....	10
• secuENTRY DUO CH ADAPTER.....	12
• secuENTRY pro ADAPTER.....	14

Identification media:	Page:
• secuENTRY pro 5711 PINCODE.....	16
• secuENTRY pro 5712 FINGERPRINT.....	18
• secuENTRY pro 5710 TRANSPONDER.....	20

Add-on modules:	Page:
• secuENTRY pro 7071 RELAY.....	22
• secuENTRY pro 7072 REMOTE.....	24
• secuENTRY pro 7073 ENROLMENT.....	26

Software:	Page:
• secuENTRY pro 7081 System SOFTWARE.....	28
• secuENTRY pro 7082 System + SOFTWARE.....	30
• secuENTRY pro 7085 Hotel SOFTWARE.....	32
• Notes.....	34



secuENTRY pro 7000

Order no.: 57130

Technical details.

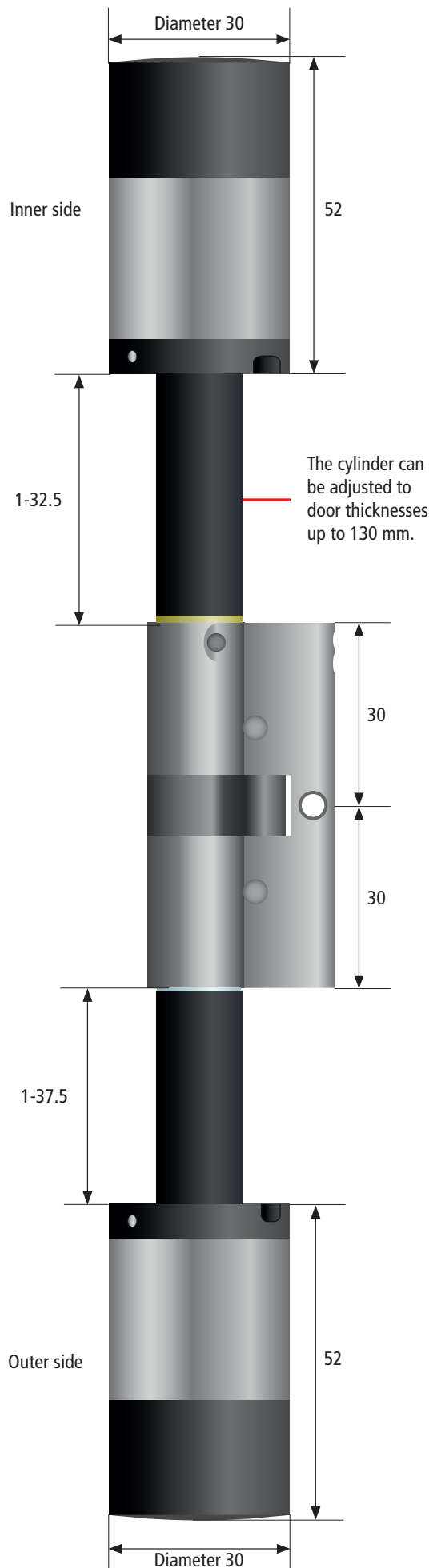
Model	<p>Assembly in profile cylinder hole (DIN 18252, EN 1303)</p> <p>Approval and certification:</p> <ul style="list-style-type: none"> • Conformity to all applicable EC guidelines • National laws must be checked separately
Power supply	1x CR123A lithium battery
Permissible ambient conditions	* -15°C/+50°C / up to 95% rel. air humidity (noncondensing)
Number of possible activations per battery set	<p>PINCODE 55,000 openings¹</p> <p>FINGERPRINT 55,000 openings¹</p> <p>PASSIVE TRANSPONDER 65,000 openings¹</p>
Cylinder length min/max	Door thickness 60 to 130 mm: Min. 30/30 mm, Max. 67.5/62.5 mm (measured from mid forend screw)
Backset	<ul style="list-style-type: none"> • Inward opening door (standard knob): 30 mm² • Outward opening door: 30 mm²
Active outer knob	<ul style="list-style-type: none"> • For reading passive transponders • Bluetooth receiver
Frequency range	Up to 4 m (AES encryption)
Protection class	IP 65
Outer shaft	Plastic, brass ³
Coupling duration	7 seconds
Data transfer cylinder	Bluetooth 4.0 LE (AES encrypted)
Special feature	Manipulation protection

¹ Without permanent opening

² Applies for door leaf thicknesses, where the profile cylinder does not protrude. In the case of other doors, please ask.

³ Optional accessories

secuENTRY pro 7000.



Dimensions in mm | Fig. 1:1

Product illustration.



Product information.

User data:

- Electronic cylinder for up to 2000 users
- Identification media:
 - Pincode: 2000 Users
 - Fingerprint: 200-300 users, including 45 premium fingers
 - Passive transponder: 2000 users
 - Smart devices: 2000 users
- History functions: 2000 events

Function via optional software:

- User or group administration
- Time and calendar function
- Assignment of authorisations
- History function
- Visitor transponder function

Scope of delivery:

- Cylinder (according to fig.)
- Spacers
- Assembly material (incl. forend screw/hexagon socket screw)
- Covering rosette
- Serial number/factory admin code
- QR code for training regarding the products
- 1x CR123A lithium battery
- Operating instructions

secuENTRY pro 7100

Order no.: 57240

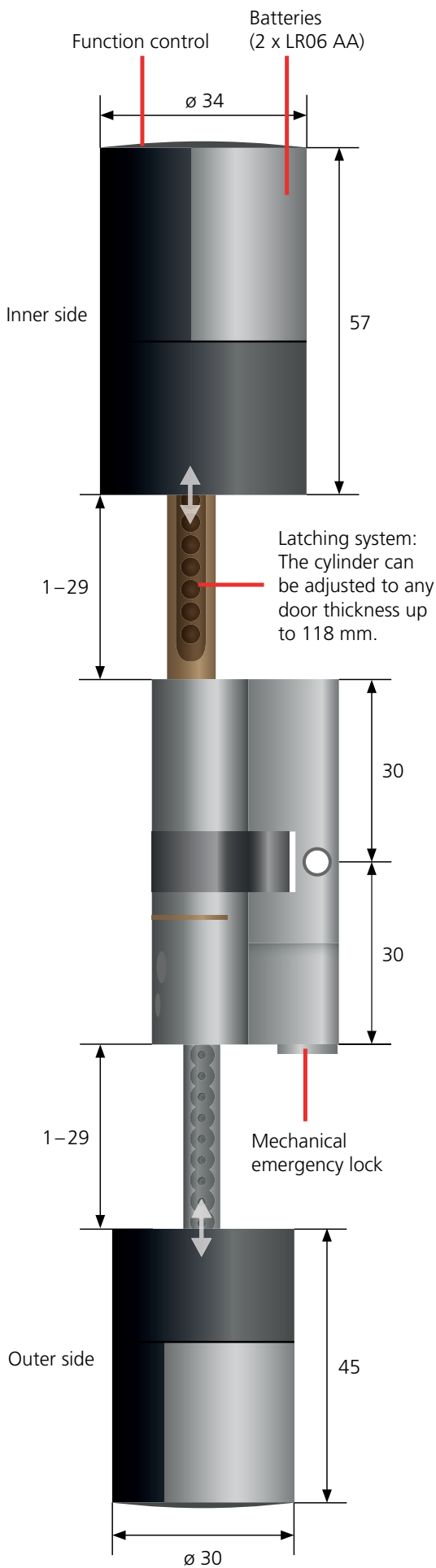
Technical details.

Model	Assembly in profile cylinder hole (DIN 18252, EN 1303) Approval and certification: <ul style="list-style-type: none">• Conformity to all applicable EC guidelines• National laws must be checked separately
Power supply	2x MIGNON LR06 AA Alkaline
Permissible ambient conditions	-15°C to +50°C / up to 95% rel. air humidity (noncondensing)
Number of possible activations per battery set	PINCODE 40,000 openings ¹ FINGERPRINT 40,000 openings ¹
Cylinder length min/max	Can be adjusted to door thickness up to 118 mm on site via latch system: Min. 30/30 mm, Max. 59/59 mm (Measured from mid forend screw)
Backset	<ul style="list-style-type: none">• Inward opening door (standard knob): 30 mm²• Outward opening door: 35 mm²
Frequency range	Up to 4 m (AES encryption)
Outer shaft	Stainless steel, drilled
Coupling duration	7 seconds
Emergency unlocking	Mechanical emergency lock (Optional keyed alike)
Data transfer cylinder	Bluetooth 4.0 LE (AES encrypted)
Special feature	Manipulation protection

¹ Without permanent opening

² Applies for door leaf thicknesses, where the profile cylinder does not protrude. In the case of other doors, please ask.

secuENTRY pro 7100.



Dimensions in mm | Fig. 1:1

Product illustration.



Product information.

User data:

- Electronic cylinder for up to 2000 users
- Identification media:
 - Pincode: 2000 users
 - Fingerprint: 200-300 users, including 45 Premium fingers
 - Smart devices: 2000 users
- History functions: 2000 events

Function via optional software:

- User or group administration
- Time and calendar function
- Assignment of authorisations
- History function:

Scope of delivery:

- Cylinder (according to fig.)
- Assembly material (incl. forend screw/hexagon socket screw)
- Covering rosette
- Serial number/factory admin code
- QR code for training regarding the products
- Batteries: 2x MIGNON LR6 AA ALKALINE
- Operating instructions

secuENTRY pro 7030 HALF

Order no.: 57160

Technical details.

Model	Assembly in profile cylinder hole (DIN 18252, EN 1303) Approval and certification: <ul style="list-style-type: none">• Conformity to all applicable EC guidelines• National laws must be checked separately
Power supply	1x CR123A lithium battery
Permissible ambient conditions	-15°C to +50°C / up to 95% rel. air humidity (noncondensing)
Number of possible activations per battery set	PINCODE 55,000 openings ¹ FINGERPRINT 55,000 openings ¹ PASSIVE TRANSPONDER 65,000 openings ¹
Cylinder length min/max	Total length up to 77.5 mm: Min. 30/10 mm, Max. 67.5/10 mm (measured from mid forend screw)
Backset	<ul style="list-style-type: none">• Inward opening door (standard knob): 30 mm²• Outward opening door: 30 mm²
Active outer knob	<ul style="list-style-type: none">• For reading passive transponders• Bluetooth receiver
Frequency range	Up to 4 m (AES encryption)
Protection class	IP 65
Outer shaft	Plastic, brass ³
Coupling duration	7 seconds
Data transfer cylinder	Bluetooth 4.0 LE (AES encrypted)
Special feature	Manipulation protection

¹ Without permanent opening

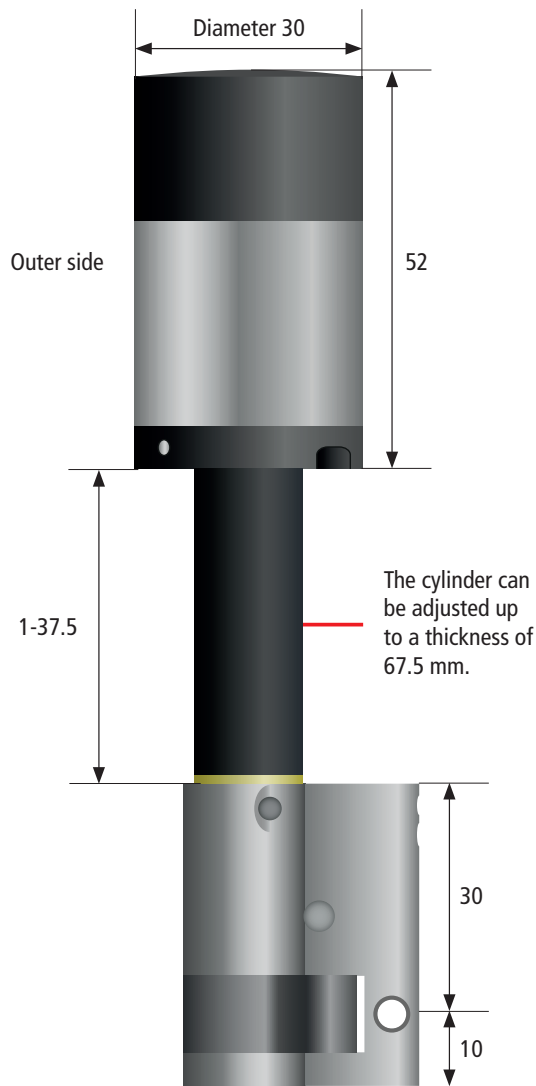
² Applies for door leaf thicknesses, where the profile cylinder does not protrude. In the case of other doors, please ask.

³ Optional accessories

Areas of use.

Key switch, garages, block locks, control cabinets, etc.

secuENTRY pro 7030 HALF



Dimensions in mm | Fig. 1:1

Product illustration.



Product information.

User data:

- Electronic cylinder for up to 2000 users
- Identification media:
 - Pincode: 2000 users
 - Fingerprint: 200-300 users, including 45 Premium fingers
 - Passive transponder: 2000 users
 - Smart devices: 2000 users
- History functions: 2000 events

Function via optional software:

- User or group administration
- Time and calendar function
- Assignment of authorisations
- History function:
- Visitor transponder function

Scope of delivery:

- Cylinder (according to fig.)
- Spacers
- Assembly material (incl. forend screw/hexagon socket screw)
- Covering rosette
- Serial number/factory admin code
- QR code for training regarding the products
- 1x CR123A lithium battery
- Operating instructions

secuENTRY Shaft extension

Order no.: 56450

Technical details.

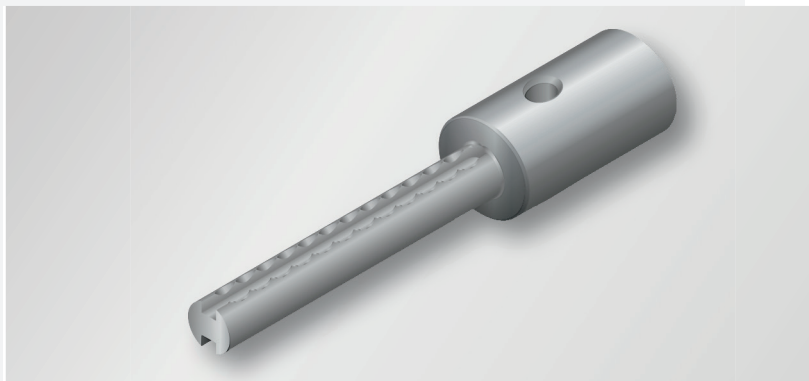
Material	Stainless steel
Fastening	The original shaft must be adjusted according to the door dimensions
Adjustment	For the intervals of 61 to 77 mm (measured from the forend screw mid position), the standard shaft must be shortened by up to 16 mm!
Extension of outer shaft maximum	104 mm (measured from the forend screw mid position)
Optional	The cylinder extension can be carried out by the factory if required

secuENTRY Shaft extension.



Dimensions in mm | Fig. 1:1

Product illustration.



Product information.

Scope of delivery:

- Shaft extension
- Fastening bolt

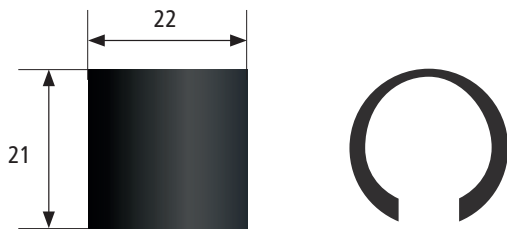
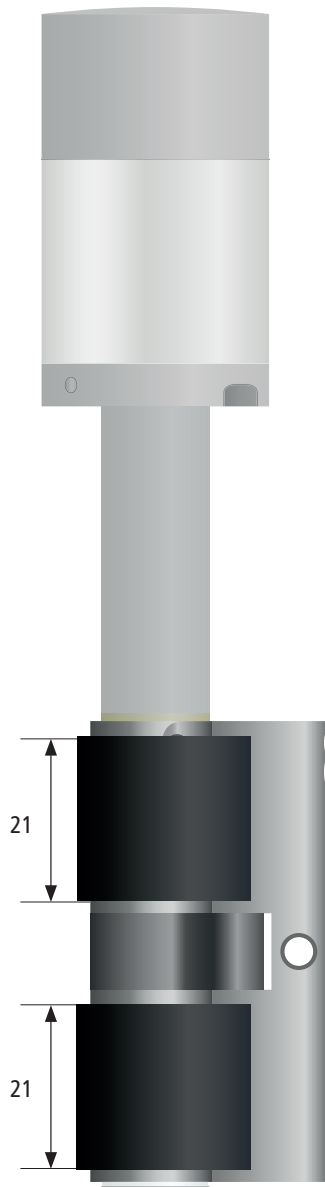
secuENTRY DUO CH Adapter 22 mm

Order no.: 55500

Technical details.

Material	Plastic
Diameter	22 mm
Assembly	Placement on secuENTRY Cylinder
Intended purpose	Adjustment of secuENTRY Profile cylinder to Swiss round cylinder 22 mm
Comment	Due to varying technologies of the mortise locks, the usability of the secuENTRY Cylinder should be checked in the relevant mortise lock, together with the adapter, in advance

secuENTRY Duo CH Adapter 22 mm.



Dimensions in mm | Fig. 1:1

Product illustration.



Product information.

Scope of delivery:

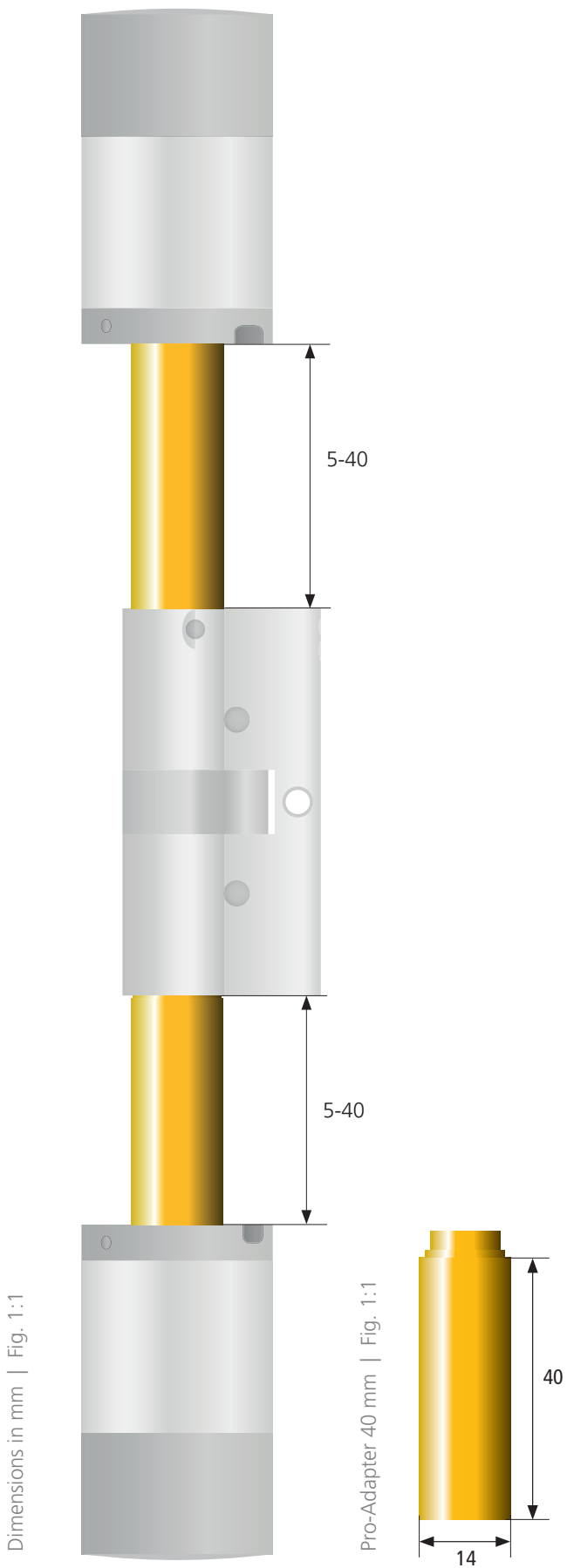
- secuENTRY DUO CH Adapter 22 mm

secuENTRY pro Adapter

Technical details.

Material	Brass
Sizes and order no.	<ul style="list-style-type: none">• Pro-Adapter 5 mm (Order no.: 39200)• Pro-Adapter 10 mm (Order no.: 39210)• Pro-Adapter 15 mm (Order no.: 39220)• Pro-Adapter 20 mm (Order no.: 39230)• Pro-Adapter 25 mm (Order no.: 39240)• Pro-Adapter 30 mm (Order no.: 39250)• Pro-Adapter 35 mm (Order no.: 39260)• Pro-Adapter 40 mm (Order no.: 39270)
Assembly	Placement on secuENTRY Cylinder (Inside and outside)
Intended purpose	Extension of locking shafts for secuENTRY Cylinders
Comment	Optional article for the standard plastic extensions

secuENTRY Brass adapter



Product illustration.



Product information.

Scope of delivery:

- Pro-Adapter 5 - 20 mm the PU is 5 pieces
- Pro-Adapter 25 - 40 mm the PU is 3 pieces

secuENTRY pro 5711 PIN

Order no.: 57110

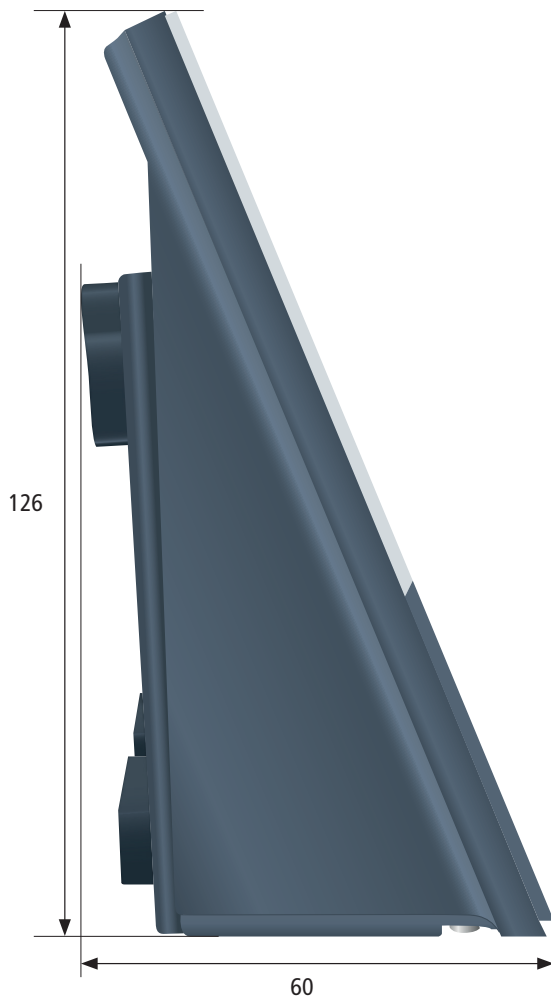
Technical details.

Power supply	2 x MIGNON LR6 AA ALKALINE
Keypad	Touch panel control panels
Code entry	6 digits
Blocking time	After 3 x wrong code is entered 1 minute, then always 3 minutes
Display	Adjustable to 12 languages 11 preset languages (de, en, fr, nl, it, es, pl, pt, ro, cs, hu, sl), a further language can be programmed using software (tr, dk, others on request)
Protection class	IP 65
Frequency range	Up to 4 m (AES encryption)
Use	Across various locking systems

secuENTRY pro 5711 PIN.



Front view



Dimensions in mm | Fig. 1:1

Product illustration.



Product information.

Wireless pincode keyboard as identification media

Data transfer Bluetooth 4.0 LE, AES encrypted

Touch panel with mechanical power button

Compatible with:

- secuENTRY pro 7100 Cylinder
- secuENTRY pro 7000 Cylinder
- secuENTRY pro 7030 Half cylinder
- secuENTRY pro 7071 Relay

Scope of delivery:

- Mounting plate
- Adhesive strips 4 x/ screws and dowels
- Glass pane background foil
- Operating instructions
- QR code for training regarding the products
- Screwdriver TX8
- Batteries: 2x MIGNON LR6 AA ALKALINE

secuENTRY pro 5712 FP

Order no.: 57120

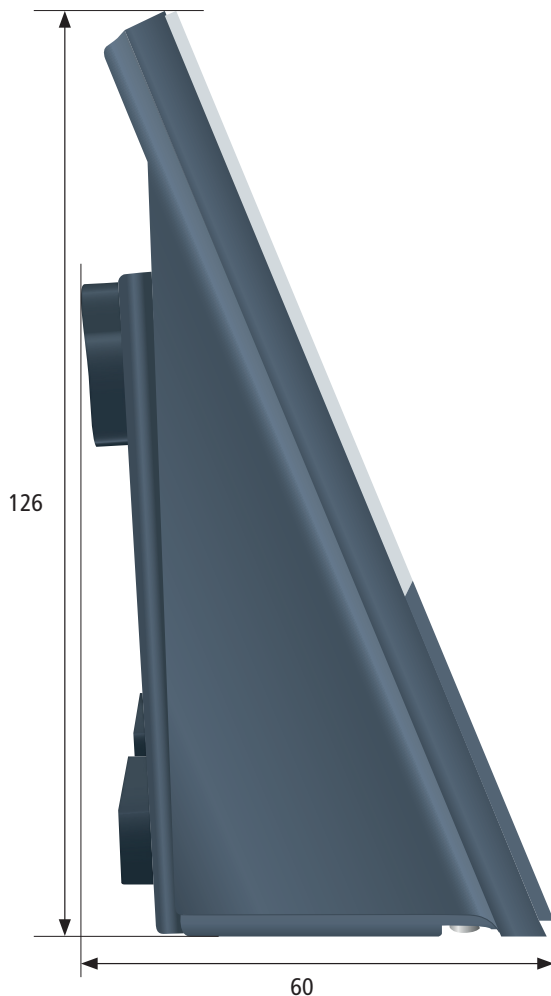
Technical details.

Power supply	2 x MIGNON LR6 AA ALKALINE
Keypad	Touch panel control panels
Code entry	6 digits
Blocking time	After 3 x wrong code is entered 1 minute, then always 3 minutes
Display	Adjustable to 12 languages 11 preset languages (de, en, fr, nl, it, es, pl, pt, ro, cs, hu, sl), a further language can be programmed using software (tr, dk, others on request)
Protection class	IP 55
Frequency range	Up to 4 m (AES encryption)
Use	Across various locking systems

secuENTRY pro 5712 FP.



Front view



Dimensions in mm | Fig. 1:1

Product illustration.



secuENTRY Identification media

Product information.

Wireless pincode/fingerprint keyboard as identification media

Data transfer Bluetooth 4.0 LE, AES encrypted

Touch panel with mechanical power button

Fingerprint: 200-300 users, including 45 Premium fingers

Compatible with:

- secuENTRY pro 7100 Cylinder
- secuENTRY pro 7000 Cylinder
- secuENTRY pro 7030 Half cylinder
- secuENTRY pro 7071 Relay

Scope of delivery:

- Mounting plate
- Adhesive strips 4 x/ screws and dowels
- Glass pane background foil
- Operating instructions
- QR code for training regarding the products
- Screwdriver TX8
- Batteries: 2x MIGNON LR6 AA ALKALINE

secuENTRY pro 5710 Transponder

Order no.: 57100

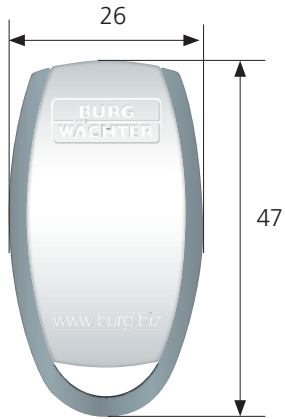
Technical details.

Power supply	Battery-free passive transponder
Range	Approx. 2 mm
Applications	<ul style="list-style-type: none">• Passive transponder as opening medium• Passive transponder as visitor transponder (access rights and validity duration can be programmed)
Standard	MIFARE DESFire 128 Bit encrypted in ISO format 15693 and 14443A
Data transfer	Contactless data transfer, AES encrypted

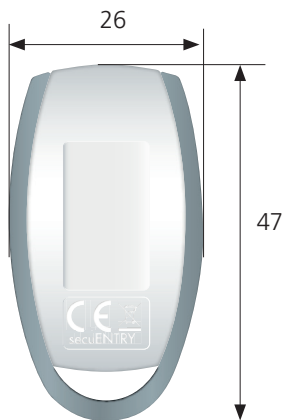
Areas of use. Only for secuENTRY 7000.

Ideal for hotel use or for limited access rights

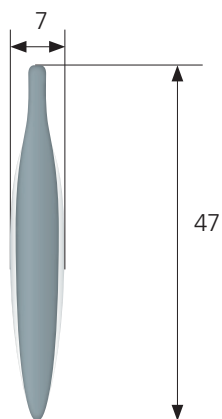
secuENTRY pro 5710 Transponder.



Front view



Rear view



Side view

Dimensions in mm | Fig. 1:1

Product illustration.



Product information.

Modern passive transponder

Transponder can be programmed into the software via QR code

Reading and writing of transponder via secuENTRY pro 7073 Enrolment

Compatible with:

- secuENTRY pro 7000 Cylinder
- secuENTRY pro 7030 Half cylinder
- secuENTRY pro 7073 Enrolment

ISO 15693 and ISO 14443A, 13.56 MHz

Easily programmable access rights and validity durations via optional software

Scope of delivery:

- secuENTRY pro 5710 Transponder
- QR code for training regarding the products
- Operating instructions

secuENTRY pro 7071 Relay

Order no.: 57180

Technical details.

Power supply	Power supply unit ¹ 6-12V direct current 500 mAh
Installation conditions	Install in a weatherproof and manipulation-protected area
Compatibility	Operation with pincode and fingerprint
Frequency range	Up to 4m (AES encryption)
Connections	<ul style="list-style-type: none">• 6V to 12V DC 500 mAh• GND• COM• NC potential-free opener contact (max. 24V, 1A)• NO potential-free make contact (max. 24V, 1A)
Coupling duration	1 sec. up to 17:59:59 hrs.
Data transfer	Bluetooth 4.0 LE (AES encrypted)
Important!	No voltage of 230V must be switched through the relay! (max. 24V)

¹Power supply unit not included in scope of delivery.

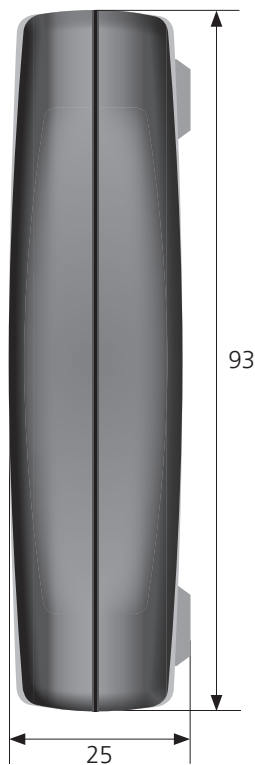
Areas of use.

Electrical control unit to switch on external electrical devices
(E-openers, garages, roller doors, cupboards, etc.)

secuENTRY pro 7071 Relay.



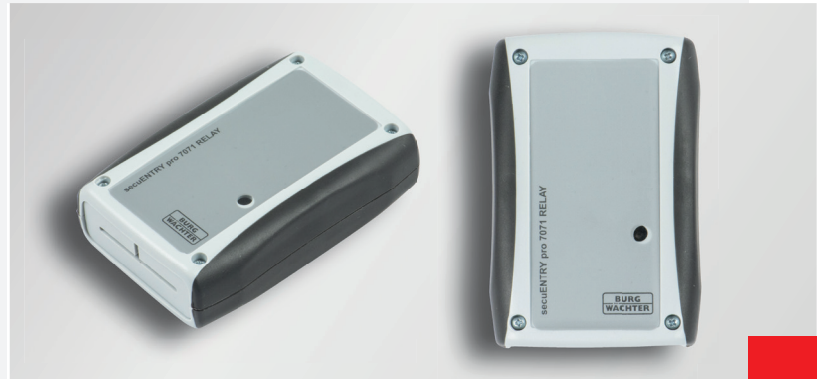
Front view



Side view

Dimensions in mm | Fig. 1:1

Product illustration.



Product information.

User data:

- Electronic controller unit for up to 2000 users
- Identification media:
 - Pincode: 2000 users
 - Fingerprint: 200-300 users, including 45 premium fingers
 - Smart devices: 2000 users
- History functions: 2000 events

Function via optional software:

- User or group administration
- Time and calendar function
- Assignment of authorisations
- History function:
- Hotel mode
- Relay timer

Scope of delivery:

- secuENTRY pro 7071 Relay
- Serial number/factory admin code
- QR code for training regarding the products
- Operating instructions

secuENTRY pro 7072 Remote

Order no.: 57190

Technical details.

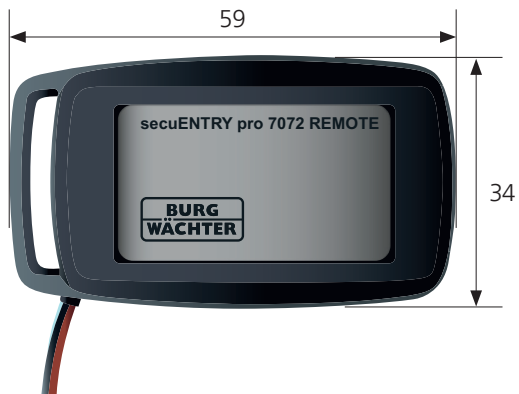
Power supply	Stabilised power supply unit ¹ 5V-12V
Installation conditions	Install in a weatherproof and manipulation protected area
Reverse polarity protection	Available
Switch contact	Impulse duration 0.5-1 sec.
Compatibility	<ul style="list-style-type: none">• secuENTRY pro 7100 Cylinder• secuENTRY pro 7000 Cylinder• secuENTRY pro 7030 Half cylinder• secuENTRY pro 7071 Relay
Frequency range	Up to 3m (AES encryption)
Activation	Switching level max. 12V

¹Power supply unit not included in scope of delivery.

Areas of use.

Switching unit for the integration of external operating units, e.g. time recording, alarm systems, etc., in secuENTRY Locking systems

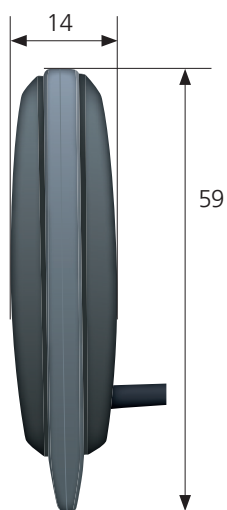
secuENTRY pro 7072 Remote.



Front view



Rear view



Side view

Dimensions in mm | Fig. 1:1

Product illustration.



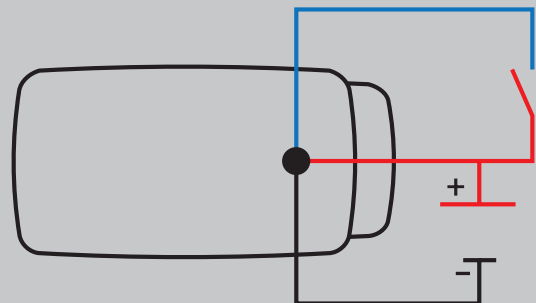
Product information.

The secuENTRY pro 7072 Remote can **exclusively** be programmed into the software via the QR code.

Scope of delivery:

- secuENTRY pro 7072 Remote
- QR code for training regarding the products
- Operating instructions

Circuit diagram:



secuENTRY pro 7073 Enrolment

Order no.: 57200

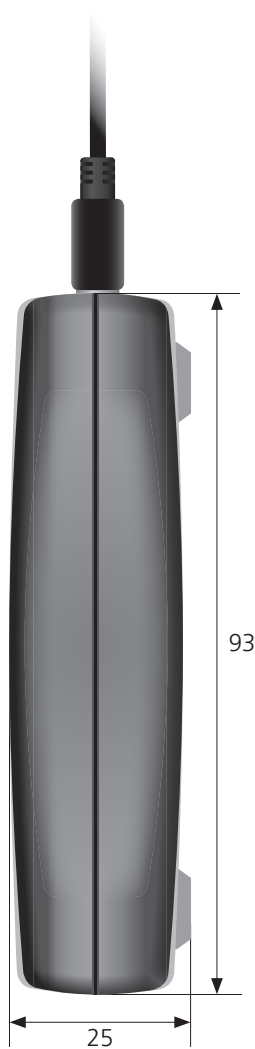
Technical details.

Power supply	By USB
Compatibility	Passive transponder, visitor transponder, fingerprint
Connections	Micro USB cable - plug type A
Read range	See markings

**secuENTRY pro
7073 Enrolment.**



Front view



Side view

Dimensions in mm | Fig. 1:1

Product illustration.



Product information.

USB programming device for biometric storage of locking-approved fingers, and transponders in the secuENTRY management software

Use with PC software ENTRY 7081 and 7082

Verification of saved fingerprint data sets

Scope of delivery:

- secuENTRY pro 7073 Enrolment
- USB cable
- Operating instructions

secuENTRY Add-On

secuENTRY pro 7081 System Software

Order no.: 57210

Technical details.

For configuration of room and communal doors (hotel)
Management for up to 250 users and up to 200 doors
Naming users, time functions and protocol function
Setting permanent opening function
Programming the passive transponder secuENTRY 5710 via QR code and secuENTRY pro 7073 Enrolment
No permanent wireless connection to the locks necessary
Data set can be transferred via USB dongle or via config app
Compatibility with all secuENTRY Cylinders and secuENTRY Relay
System requirement: Windows XP / Vista / 7 / 8 / 10 standard configuration
Including programming adapter with Bluetooth
Time function (user-related and permanent opening)
Calendar function incl. public holidays
Read-out of history
Reading in the fingerprints via Enrolment Unit
USER TIMER/TIMER SETS: 10/8
PERMANENT TIMER/TIMER SETS: 5/5
Backup: optionally possible
Display programming requirement
Free update available at www.burg.biz

secuENTRY pro 7081 System Software.



Product illustration.



Product information.

Scope of delivery:

- secuENTRY pro 7081 System Software
- USB cable
- USB dongle
- Link to download software
- Operating instructions

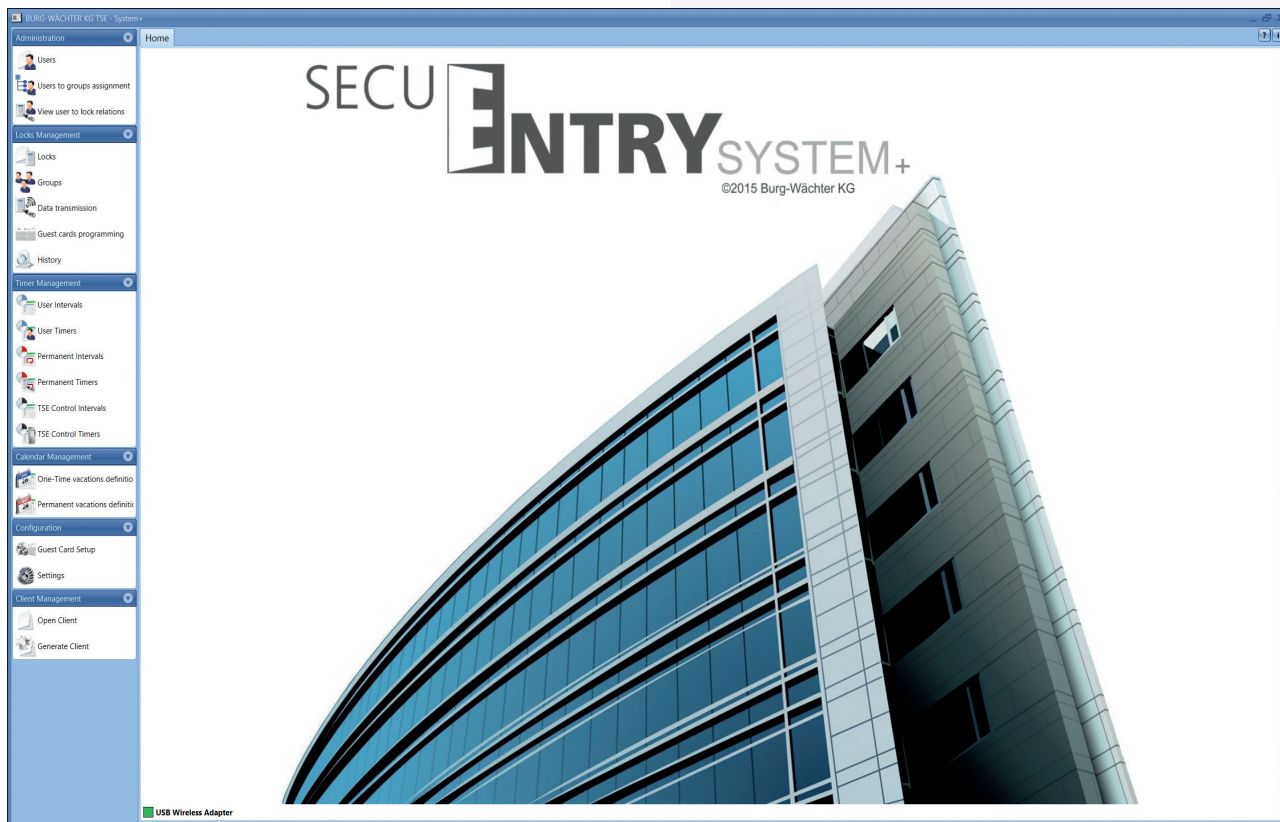
secuENTRY pro 7082 System+ Software

Order no.: 57220

Technical details.

Multi-client-capable software
Management of up to 2000 users and 300 doors per client
Import/export functions, password protection, backup functions,
Naming users, time functions and assignment of authorisations
Setting permanent opening function
Programming the passive transponder secuENTRY 5710 via QR code and secuENTRY pro 7073 Enrolment
Several print functions via CSV output
Data set can be transferred via USB dongle or via config app
Compatibility with all secuENTRY Cylinders and secuENTRY Relay
System requirement: Windows XP / Vista / 7 / 8 / 10 standard conf.
Including programming adapter with Bluetooth
Allocation of access rights
Time function (user-related and permanent opening)
Calender function incl. public holidays
Read-out of history
Reading in the fingerprints via Enrolment Unit
USER TIMER/TIMER SETS: 24/50
PERMANENT TIMER/TIMER SETS: 16/50
Display programming requirement
Backup: optionally possible
No permanent wireless connection to the locks necessary
Free update available at www.burg.biz

secuENTRY pro 7082 System+ Software.



Product illustration.



Product information.

Scope of delivery:

- secuENTRY pro 7082 System+ Software
- USB cable
- USB dongle
- Link to download software
- Operating instructions

secuENTRY pro 7085 Hotel Software

Order no.: 57230

Technical details.

Basic requirement: Software ENTRY 7081 system for configuration of locking plan

Setting menu: Password-protected

Guest code: 6 digits

Definition of check-out time

Generation of individual guest codes for room and communal doors, cupboards, garage doors

System requirement: Windows XP/Vista/Windows 7/Windows 8/Windows 10 in standard configuration

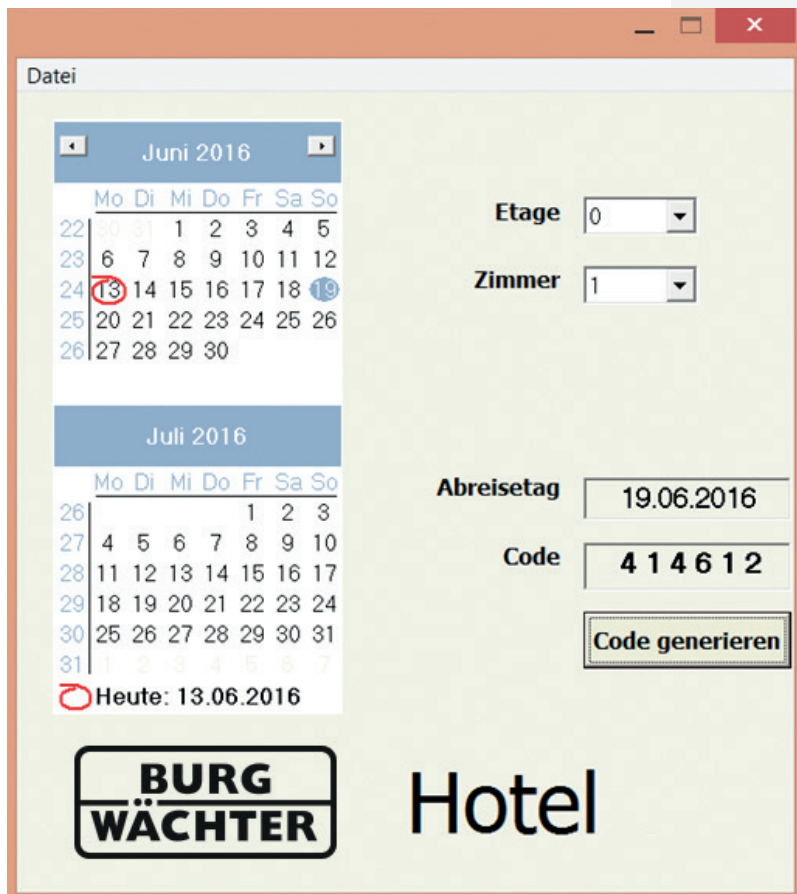
Adjustment of software to the relevant hotel structure

Compatible with check-in machines and reservation software via interfaces

Standard configuration: no future reservations possible

System compatibility: TSE 3003 Hotel, TSE 9000 Hotel, TSE 3004 Hotel, TSE 6000, secuENTRY pro 7000, secuENTRY pro 7100

For hotels and holiday complexes up to 200 doors



Product illustration.



Product information.

Scope of delivery:

- secuENTRY pro 7085 Hotel Software
- CD
- Registration code
- Operating instructions

Notes

Notes

Lined area for taking notes, consisting of 15 horizontal lines.

Notes