

## Secure and convenient. For you and your guests.

### The BURG-WÄCHTER secuENTRY hotel locking system.

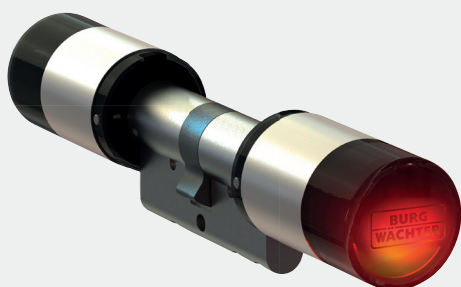
Once again one of your guests forgot to return the key or worse, it got lost. Apart from the fact that significant costs for the aggrieved party emerge again and again, the loss of keys provokes a high security risk.

SecuENTRY pro 7100 / 7000 is the electronic locking system for hotels. The guest receives an individually generated guest code that includes activation for the room door and public room doors for the period of the booked stay. The reception generates the guest codes via the easy to handle secuENTRY HOTEL software.

The simple assembly process of the electronic cylinder makes secuENTRY HOTEL the ideal locking system, even when retrofitting to existing doors. During assembly, the one-time programming of the locking system happens via laptop/PC. Furthermore, if necessary, a reading of the access history is possible.

### The advantages at a glance.

- Easy and quick installation/retrofitting
- No interconnection between software and lock needed
- Maximum flexibility
- Storage of the last 1,900 actions
- Different time functions programmable
- Other optional opening devices are available for service staff
- Mechanical emergency opening function (secuENTRY 7100)



### Awarded with the PLUS X AWARD

*The secuENTRY series from BURG-WÄCHTER has been awarded with the PLUS X AWARD „BEST PRODUCT 2015/2016“ and additionally receives a quality seal in the categories HIGH QUALITY, DESIGN, USER COMFORT and FUNCTIONALITY.*

The secuENTRY HOTEL combines the requirements of the hotel, guesthouse and holiday apartment industry and the wishes of your guests into one easy to use convenient product.



**Check-in on site.**

*Even outside of the reception hours, the hotel operation keeps going. In connection with a Check-In automat and the secuENTRY software the procedure is automated. Using a credit card, the guest can book the room via the automat and receives an individual guest code. This allows for payment and a room booking to be made in a single transaction.*

\*Image is not a BURG-WÄCHTER product.

**More security and comfort.  
Economical for you,  
convenient for your guests.**

**Easy use,  
high functionality.**

- Easy generating of the guest codes via the software
- Ideal for hotels without continuous reception service (code transmission e.g. via text message, email, fax, etc.)
- Automatic code erase function at the room doors at the end of the booking period

SecuENTRY HOTEL operates completely without wiring and network. Power supply happens with standard batteries.

Via the display the correctly entered code is visually confirmed. Access for hotel managers and service staff can be defined individually via fixed user codes.



**TIP**

We will gladly create a secuENTRY guest card for you – individually designed.

**Contact us!**



**The personal guest code.**  
Even outside the  
business hours.

## secuENTRY pro HOTEL

### Product information.

Easy and quick installation/retrofitting

No interconnection between software and lock needed

Storage of the last 1,900 actions

Different time functions programmable

Other optional opening devices are available for service staff

Communal doors: Preliminary entering of the individual room number and subsequent entering of the secret opening

Max. booking time: 29 days



**ENTRY 7085 Software HOTEL**

### Software.

Reading of access history

### Areas of application.

Rented apartment units / holiday apartments, hotels, guesthouses, etc.

Service late pick-up of goods

Late Check-In at hotels

## secuENTRY 7085 Software HOTEL

### Product information.

Prerequisite: Software secuENTRY 7081 system for locking plan configuration

Settings menu: Password-protected

Guest code: 6-digits

Determination of check-out time

Generating individual guest codes for private and common room doors, gates and garage doors

System prerequisite: Windows XP/Vista/Windows 7/Windows 8/Windows 10 in standard configuration

Adjustment of the software to respective hotel structure

Compatible with check-in automats

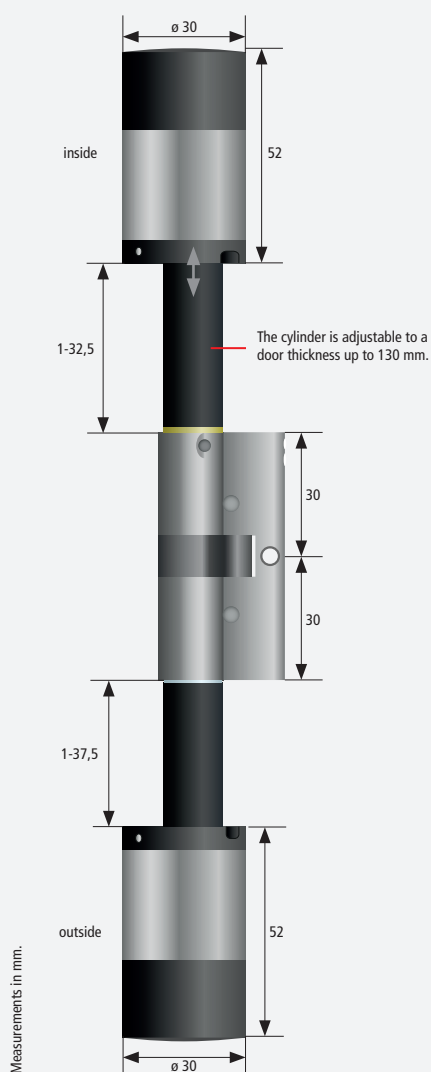
Standard configuration: No future bookings possible



**More security -  
no loss of keys!**

***With the individual guest code, a loss of keys is impossible! A code is being generated for the booked period and becomes invalid at the end of the stay. A new guest code deletes the previous one—an overlapping of codes at the door is not possible!***

## secuENTRY pro 7000



**secuENTRY pro 7000.**  
Ideal for hotels,  
guesthouses, etc.



**secuENTRY pro 5711 PIN.**  
Intuitive operating with  
touch panel technology.

### Technical data.

Construction	Assembly in PZ perforation (DIN 18252, EN 1303) approval and certification: • Conformity to all applicable EC directives • National laws are to be examined separately • DIN 18252
Power supply	1x CR123A lithium battery
Cylinder measurement min/max	(30/30) mm/ (67,5/62,5) mm (measured center of fixing screw)
Bolt measurement	• Door opening to the inside (standard knob): 30 mm <sup>1</sup> • Door opening to the outside: 30 mm <sup>1</sup>
Active outside knob	For reading passive transponder
Wireless range	Up to 4 m (AES encryption)
Safety class	IP 65
Coupling length	7 seconds

## secuENTRY pro 5711 PIN

### Product information.

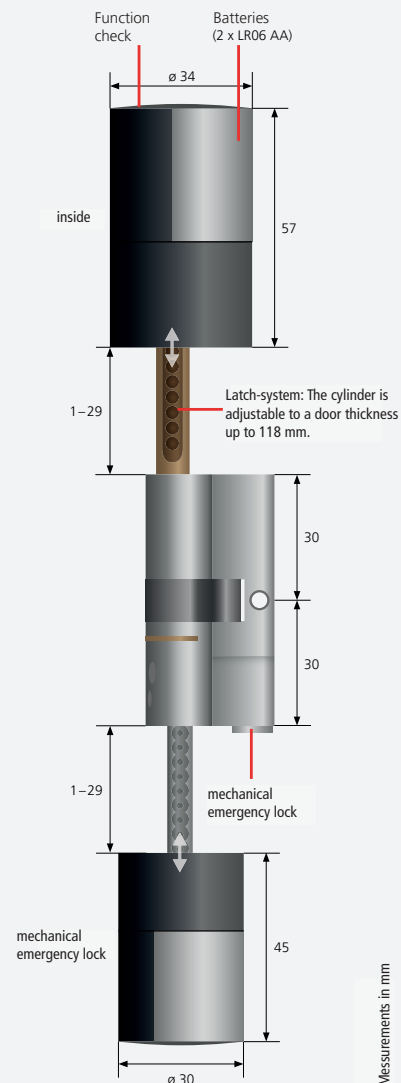
Power supply	2 x MIGNON LR6 AA ALKALINE
Keypad	Touch control panel
Code input	6-digit
Display	Programmable in 12 languages: 11 languages pre-set (de, en, fr, nl, it, es, pl, pt, ro, cs, hu, sl) one additional language programmable via software (tr, dk, others on request)
Safety class	IP 65
Wireless range	Up to 4 m (AES encryption)

<sup>1</sup> Applies for a door thickness where the profile cylinder does not stick out. For other doors, please contact us.

## secuENTRY pro 7100

### Technical data.

Construction	Assembly in PZ perforation (DIN 18252, EN 1303) approval and certification: <ul style="list-style-type: none"> <li>• Conformity to all applicable EC directives</li> <li>• National laws are to be examined separately</li> <li>• DIN 18252</li> </ul>
Power supply	2x MIGNON LR06 AA ALKALINE
Cylinder measurement min/max	(30/30) mm/ (59/59) mm (measured center of fixing screw)
Bolt measurement	<ul style="list-style-type: none"> <li>• Door opening to the inside (standard knob): 25 mm<sup>1</sup></li> <li>• Door opening to the outside: 35 mm<sup>1</sup></li> </ul>
Freewheel	Outer shaft
Wireless range	Up to 4 m (AES encryption)
Coupling length	7 seconds
Emergency release	Mechanical emergency lock (optional keyed alike)



**secuENTRY pro 7100.**  
Ideal for hotels, guesthouses, etc.

## secuENTRY pro 5711 PIN

### Product information.

Power supply	2 x MIGNON LR6 AA ALKALINE
Keypad	Touchpanel keypad
Code input	6-digits
Display	Programmable in 12 languages: 11 languages preset (de, en, fr, nl, it, es, pl, pt, ro, cs, hu, sl) one additional language programmable via software (tr, dk, others on request)
Safety class	IP 65
Wireless range	Up to 4 m (AES encryption)



**secuENTRY pro 5711 PIN.**  
Intuitive operating with touch panel technology.

<sup>1</sup> Applies for a door thickness where the profile cylinder does not stick out. For other doors, please contact us.



**secuENTRY  
5710 Transponder**



## secuENTRY 5710 Transponder

### Product information.

Modern passive transponder

- Easy programmable access rights
- Validity periods via optional components

Future orientated bookings are possible

### Application area. Only for secuENTRY 7000.

Ideal for the hotel use or for temporary access rights



**secuENTRY pro  
7071 Relay**



## secuENTRY pro 7071 Relay

### Product information.

Power supply	Power adapter <sup>2</sup> 6-12V DC voltage 500 mAh
Placing conditions	Install in a weather- and tamper-proof area (glue or screw)
Compatibility	Operating with PIN
Wireless range	Up to 4 m
Electrical connections	6V to 12V GND COM NC potential-free breaker (max. 24V, 1A) NO potential-free maker (max. 24V, 1A)
<b>Important!</b>	<b>Do not wire a voltage of 230V over the relay! (max. 24V)</b>

<sup>2</sup>Power adapter is not included in delivery scope.

### Application area.

Electrical control unit for switching external electrical devices  
(e-opener, garages, shutter doors, barriers etc.)

# HOTELSAFES

## Furniture safes

### Furniture safes PointSafe.



- tested in the BURG-WÄCHTER test laboratory
- single walled body
- double-walled door
- prepared for wall and floor fixing
- can be installed in cupboards, desks, etc.
- size P1: without shelf
- size P3: 1 shelf, removable, for common sized files



Electronic combination lock, self programmable, with keyed-alike emergency lock

Article	EAN	outside H x B x T	inside H x B x T	door H x B	weight	volume
	4003482...	mm	mm	opening mm	kg	l
<b>P 1 E KA 3</b>	37770 3	180 x 280 x 200	173 x 273 x 141	135 x 188	7,5	6,7
<b>P 3 E KA 4</b>	37780 2	320 x 442 x 350	310 x 435 x 288	240 x 317	20,0	38,8



P 1 E KA 3



P 3 E KA 4



P 3 E Lap KA 4

### The ideal hotel safe

- version KA 3/KA 4: each with keyed-alike emergency opening lock
- for the hotelier: superior hotel master code for all safes - user programmable
- for the hotel guest: short, easy to understand instructions

# HOTELSAFES



## Safety cabinets



Office 101

### Safety cabinets OfficeLine.

#### OfficeLine 101 - 106.

Security level B according to VDMA 24992, 5/95



- safety cabinet/commercial safe
- security level B according to VDMA 24992, 5/95
- body double-walled
- door double-walled
- solid three-sided locking through round bolts of 28 mm, additional round dog bolts on hinge side
- serially prepared for floor fixing, with fixing material, 1 centrally arranged drill hole on the bottom
- depth for files of common size, adjustable shelves, also available with interior safe
- standard series version painted light grey RAL 7035, armature black



Office 112

#### OfficeLine 111 - 116.

Resistance grade I, type tested and supervised security by ECB-S

#### More security

non-resettable emergency re-locking mechanism within the door mechanics



- freestanding safety cabinet/commercial safe
- type tested and supervised security by ECB-S
- protection against burglary and fire
- body double-walled
- door double-walled
- solid three-sided locking through round bolts of 28 mm, additional round dog bolts on hinge side
- serially prepared for floor fixing, with fixing material, 1 centrally arranged drill hole on the bottom
- depth for files of common size, adjustable shelves, also available with interior safe
- standard series version painted light grey RAL 7035, armature black
- more security: non-resettable emergency re-locking mechanism within the door mechanics



Office 114



Article	outside H x B x T	inside H x B x T	door H x B	weight	volume
	mm	mm	opening mm	kg	l
Office 101	626 x 614 x 554	476 x 498 x 370	476 x 498	110	87
Office 102 300	816 x 641 x 554	666 x 498 x 370	666 x 498	300	122
Office 104 300	1096 x 641 x 554	946 x 498 x 370	946 x 498	300	174
Office 106	1486 x 780 x 554	1336 x 638 x 370	1336 x 638	300	315
Office 111	626 x 641 x 554	476 x 498 x 370	476 x 498	121	87
Office 112	816 x 641 x 554	666 x 498 x 370	666 x 498	205	122
Office 114	1096 x 641 x 554	946 x 498 x 370	946 x 498	213	174
Office 116	1486 x 780 x 554	1336 x 638 x 370	1336 x 638	310	315

Available with resettable, armoured high-security safe lock or with electronic combination lock!